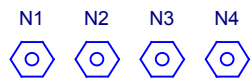


RELAY CONNECTOR PLUGS



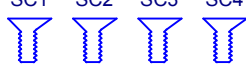
18mm STANDOFFS



2.5mm NUTS



ANTISTATIC BAG
10cm X 15cm



M2.5x5mm SCREWS



PLASTIC BAG
5cm X 10cm

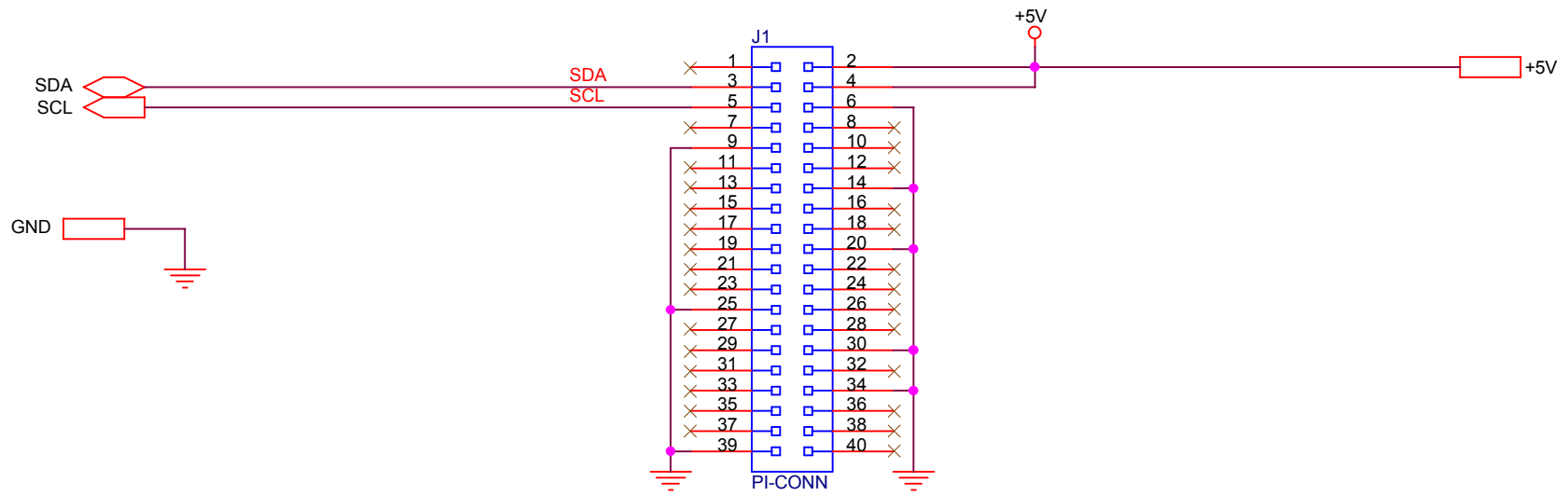


ID Jumpers

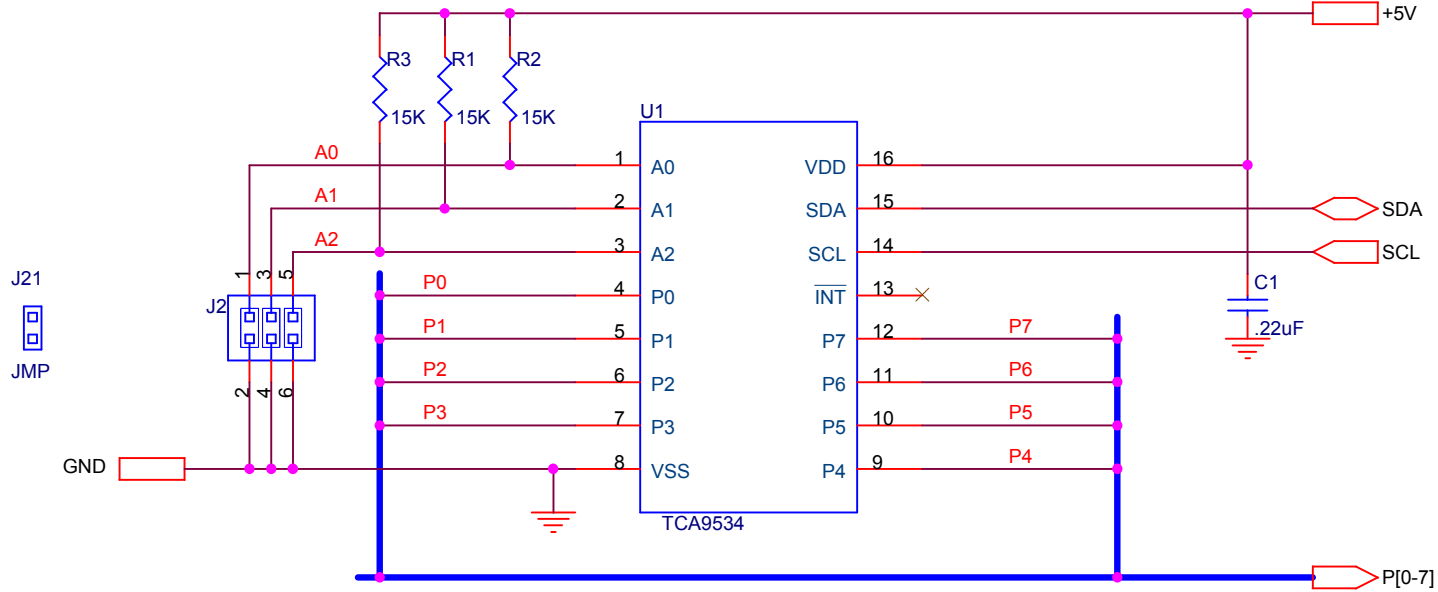
MOUNTING HOLES



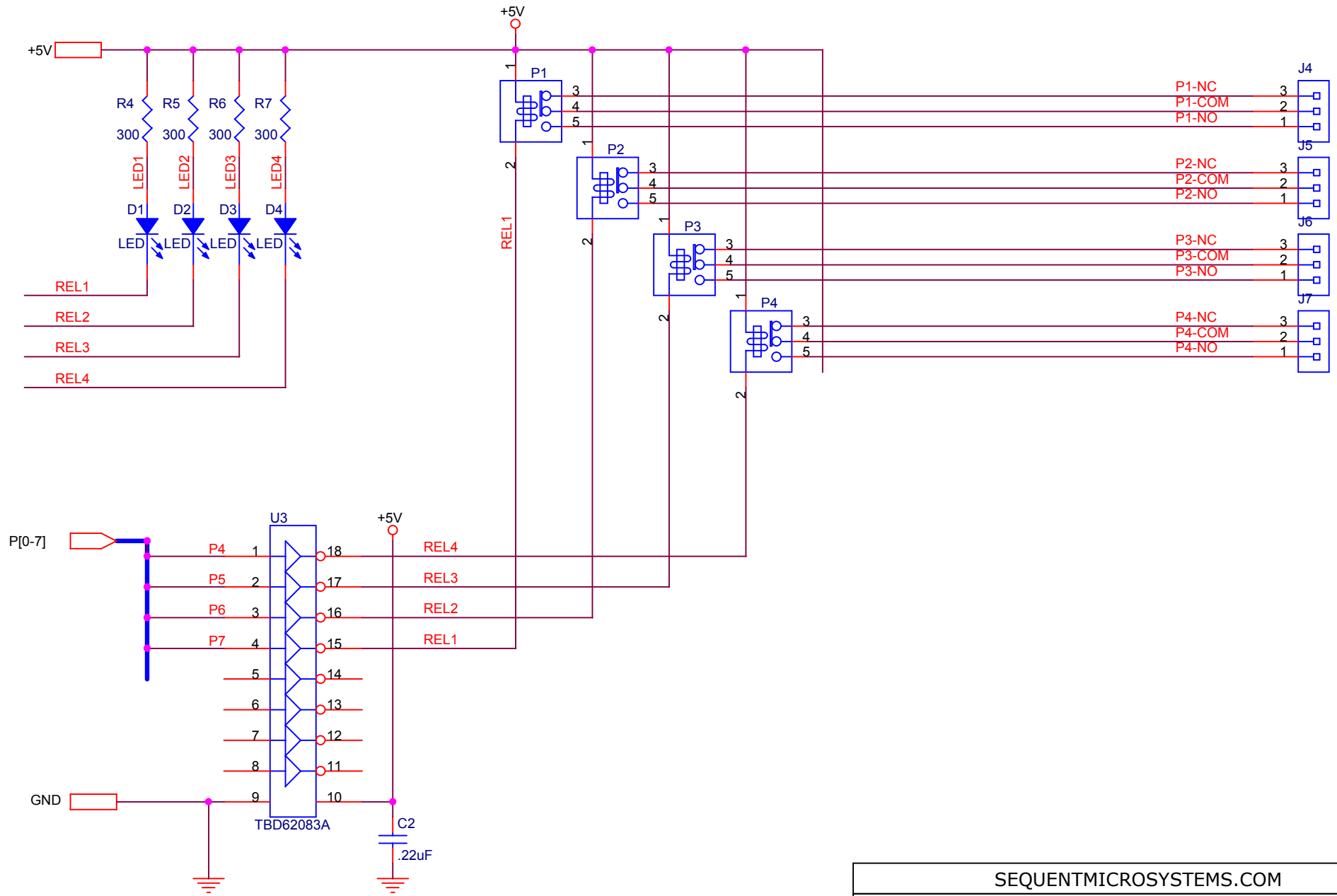
SEQUENTMICROSYSTEMS.COM		
Title 4-RELAYS		
Size A	Document Number BLOCK DIAGRAM	Rev 2.0
Date: Saturday, June 27, 2020	Sheet 1	of 4



SEQUENTMICROSYSTEMS.COM		
Title		
4-RELAYS		
Size	Document Number	Rev
A	CONNECTORS	2.0
Date:	Saturday, June 27, 2020	Sheet 2 of 4



SEQUENTMICROSYSTEMS.COM		
Title		
4-RELAYS IO EXPANDER		
Size A	Document Number	Rev 2.0
Date:	Saturday, June 27, 2020	Sheet 3 of 4



SEQUENTMICROSYSTEMS.COM		
Title		
4-RELAYS		
Size	Document Number	Rev
A	RELAYS	2.0
Date:	Saturday, June 27, 2020	Sheet 4 of 4
	2	1