

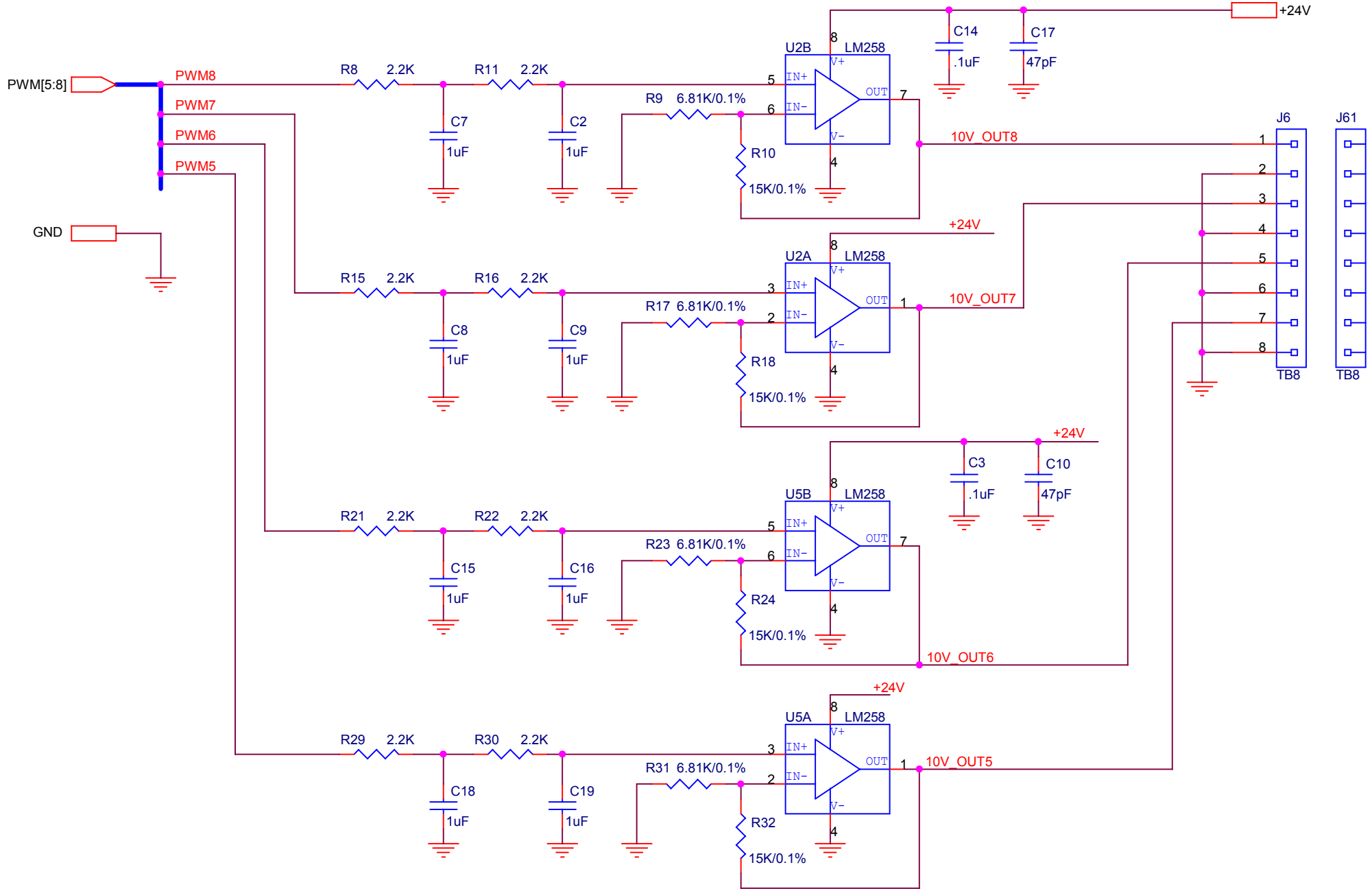
- BAG2**  
PLASTIC BAG  
5cm X 10cm
- BAG1**  
ANTISTATIC BAG  
10cm X 15cm

- S1 S2 S3 S4  
18mm STANDOFFS
- N1 N2 N3 N4  
2.5mm NUTS
- SC1 SC2 SC3 SC4  
M2.5x5mm SCREWS

- J101
- J102
- ID Jumpers

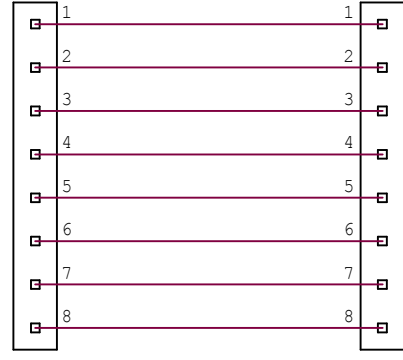
<b>SEQUENTMICROSYSTEMS.COM</b>		
Title MEGA-IND2		
Size A	Document Number Block Diagram	Rev 1.1
Date:	Tuesday, August 25, 2020	Sheet 1 of 16





SEQUENTMICROSYSTEMS.COM		
Title		
MEGA-IND2		
Size	Document Number	Rev
A	0-10V Outputs	1.1
Date:	Tuesday, August 25, 2020	Sheet 3 of 16

TEST CABLE

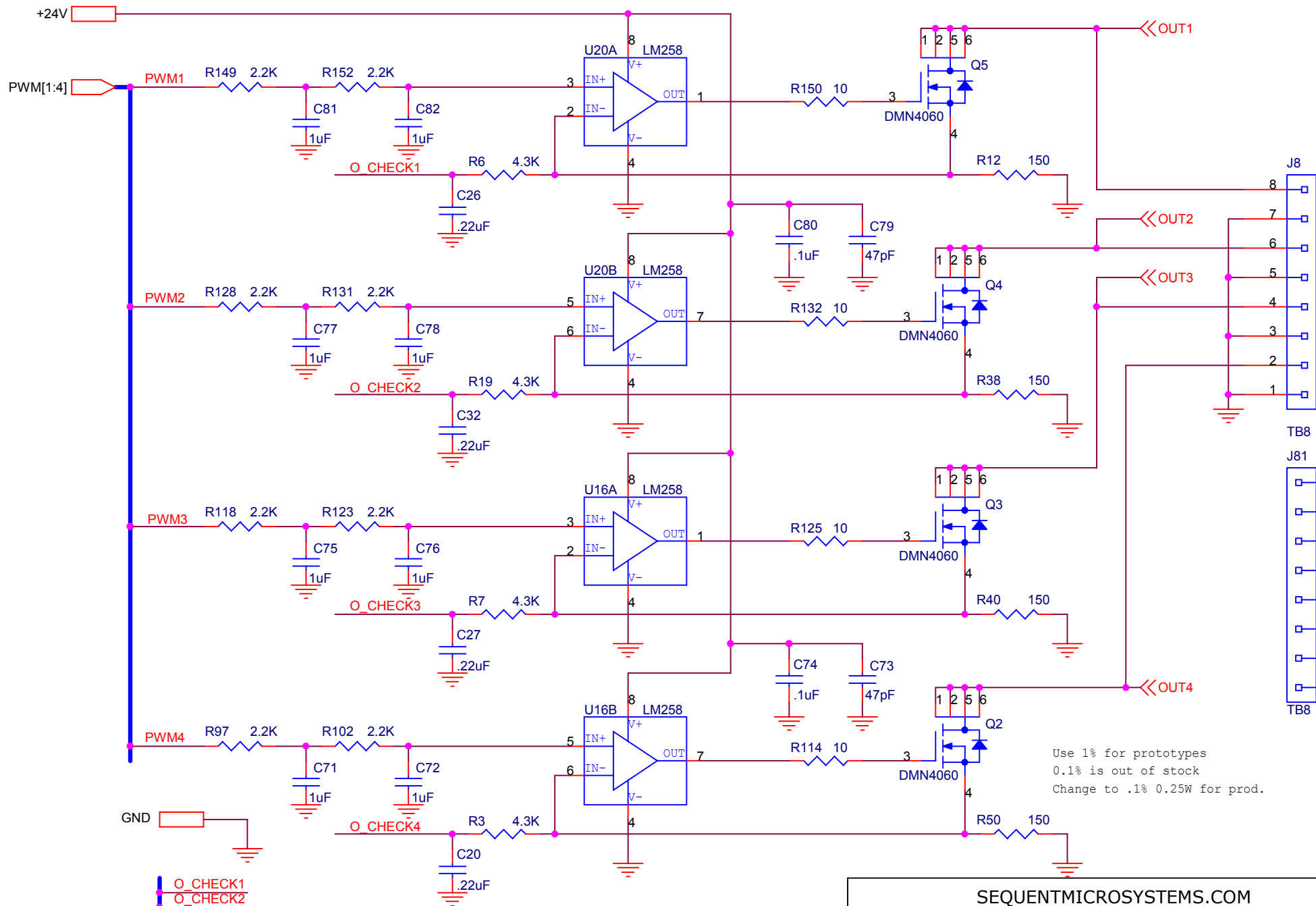


PLUG INTO J4 TO TEST

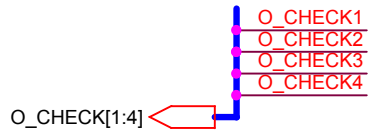
PLUG INTO J6 TO TEST

SEQUENTMICROSYSTEMS.COM

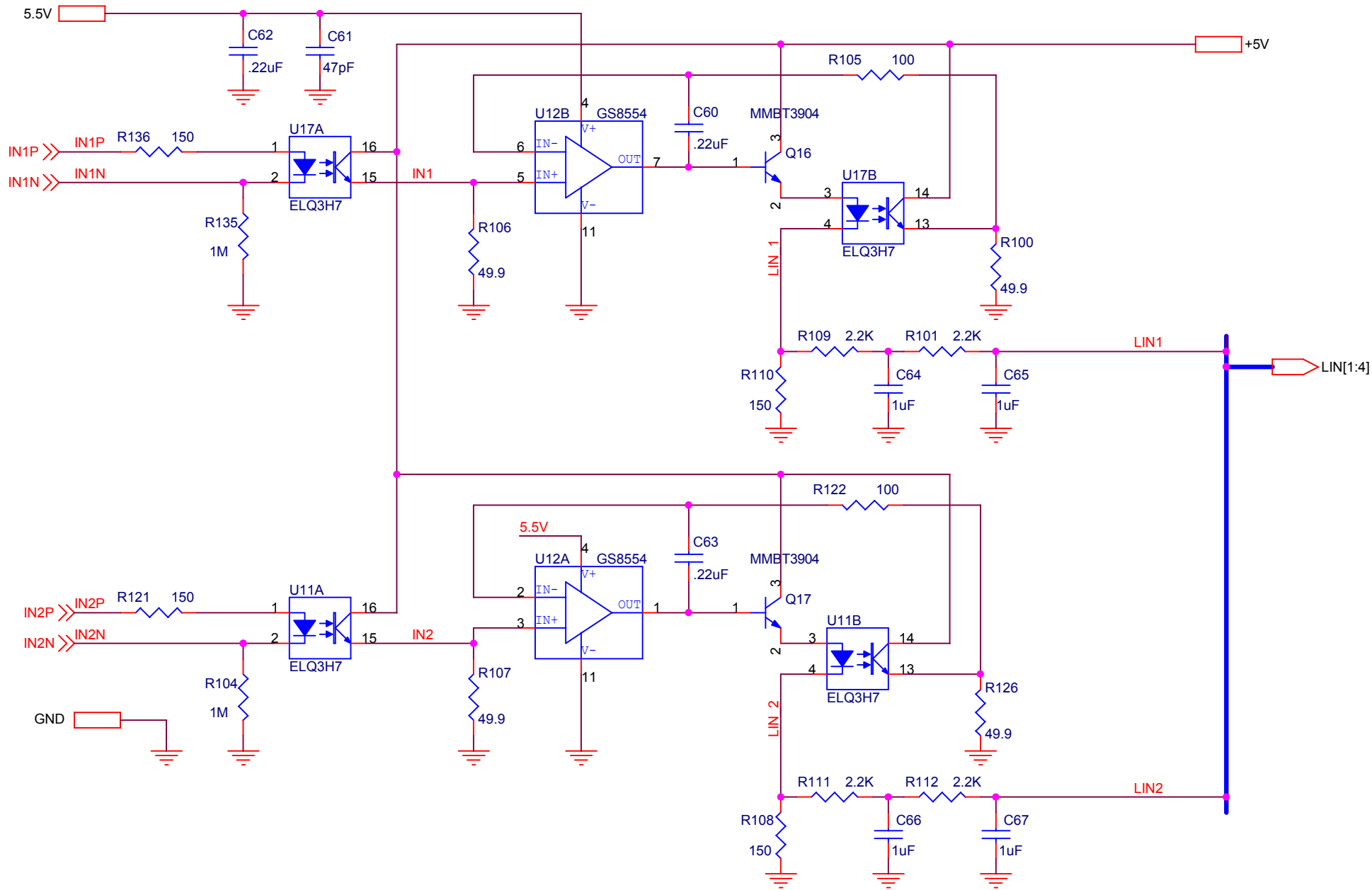
Title		
MEGA-IND2		
Size	Document Number	Rev
A	0-10V Test Cable	1.1
Date:	Tuesday, August 25, 2020	Sheet 4 of 16



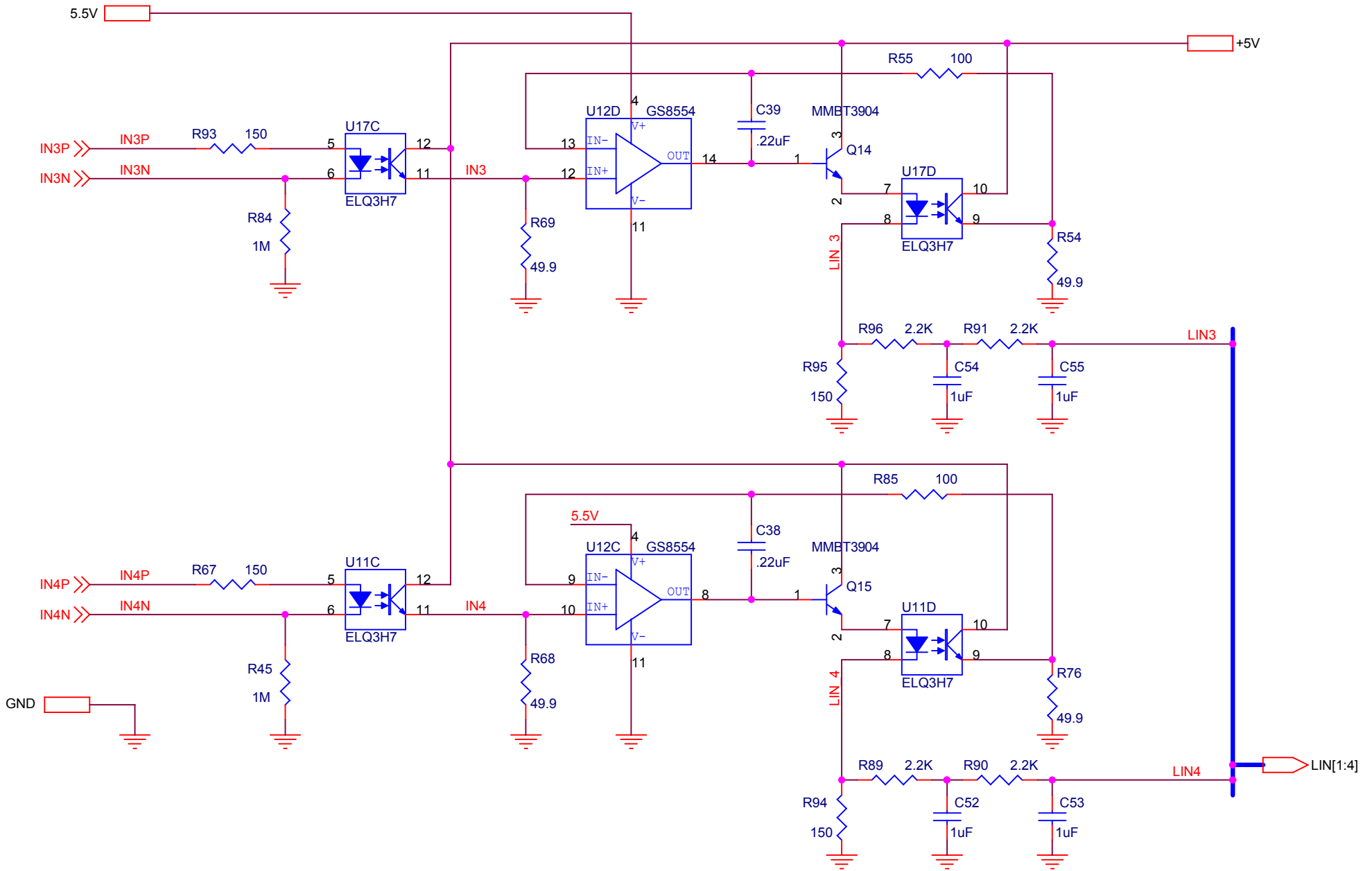
Use 1% for prototypes  
 0.1% is out of stock  
 Change to .1% 0.25W for prod.



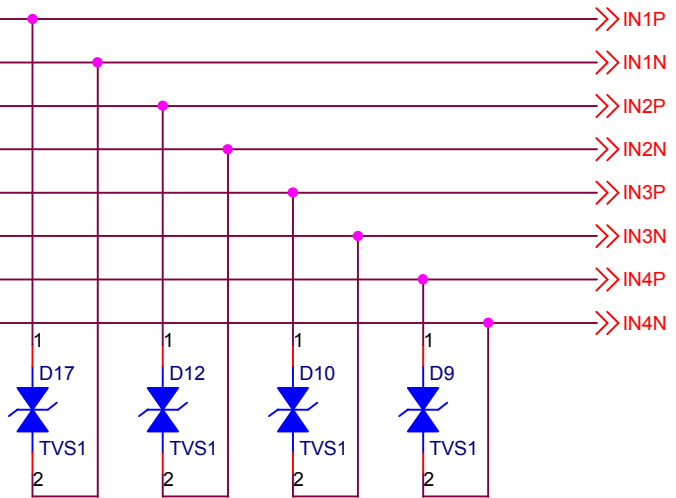
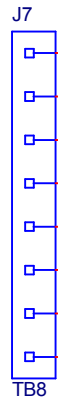
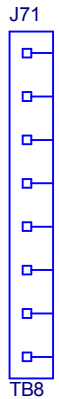
SEQUENTMICROSYSTEMS.COM		
Title		
MEGA-IND2		
Size	Document Number	Rev
A	Flex Outputs: 4-20 mA Outputs	1.1
Date:	Tuesday, August 25, 2020	Sheet 5 of 16



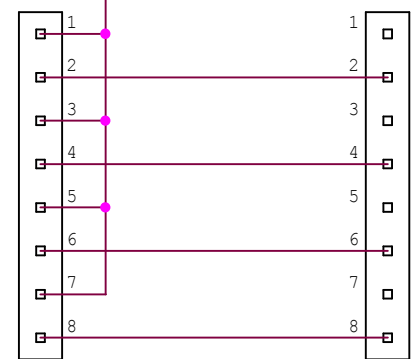
SEQUENTMICROSYSTEMS.COM		
Title		
MEGA-IND2		
Size	Document Number	Rev
A	4-20mA Inputs 1-2	1.1
Date:	Tuesday, August 25, 2020	Sheet 6 of 16



SEQUENTMICROSYSTEMS.COM		
Title		
MEGA-IND2		
Size	Document Number	Rev
A	4-20mA Inputs 3-4	1.1
Date:	Tuesday, August 25, 2020	Sheet 7 of 16



+24V



PLUG INTO J7 TO TEST

PLUG INTO J8 TO TEST

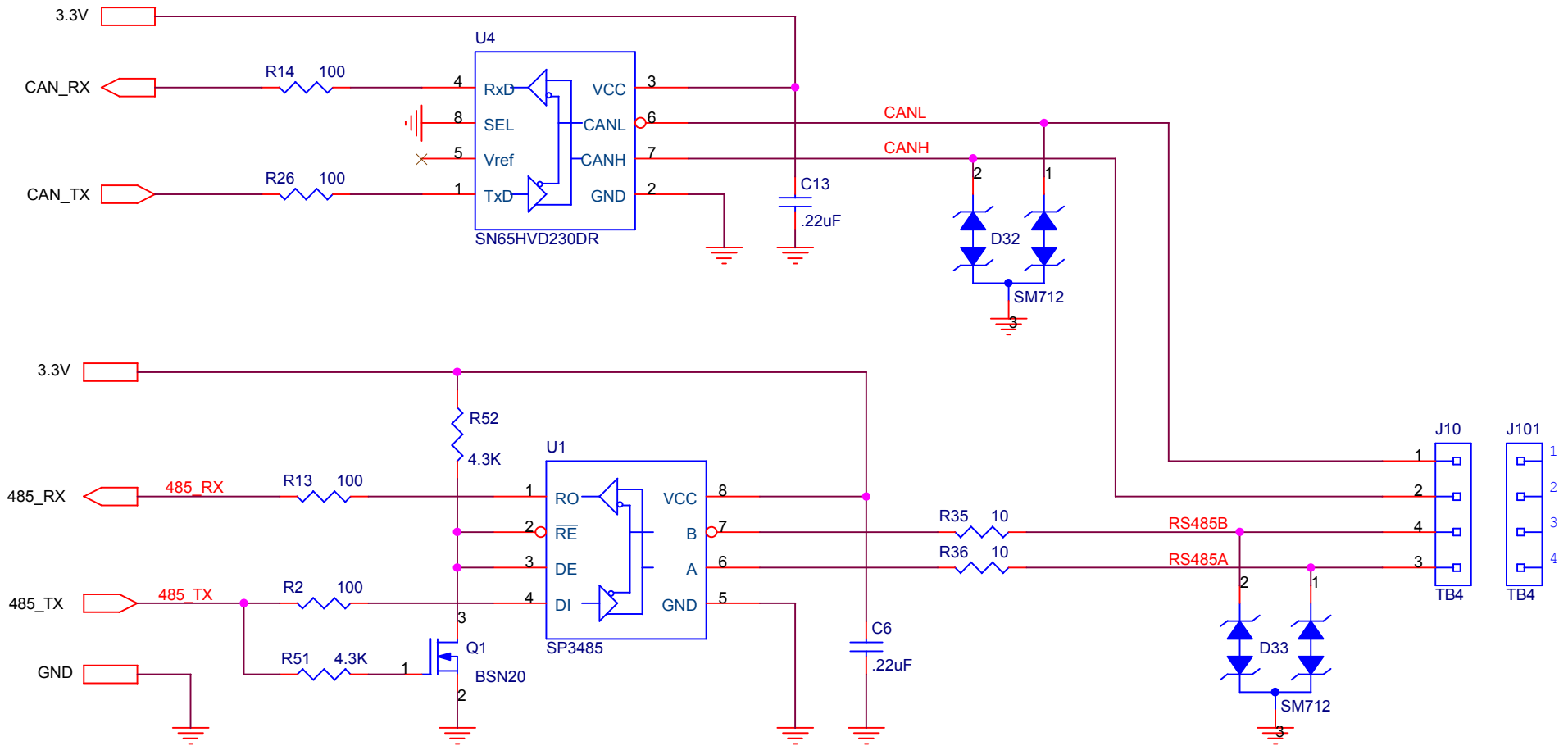
ORDER 4 each  
WJ15EDGK-3.5-8P

TEST CABLE

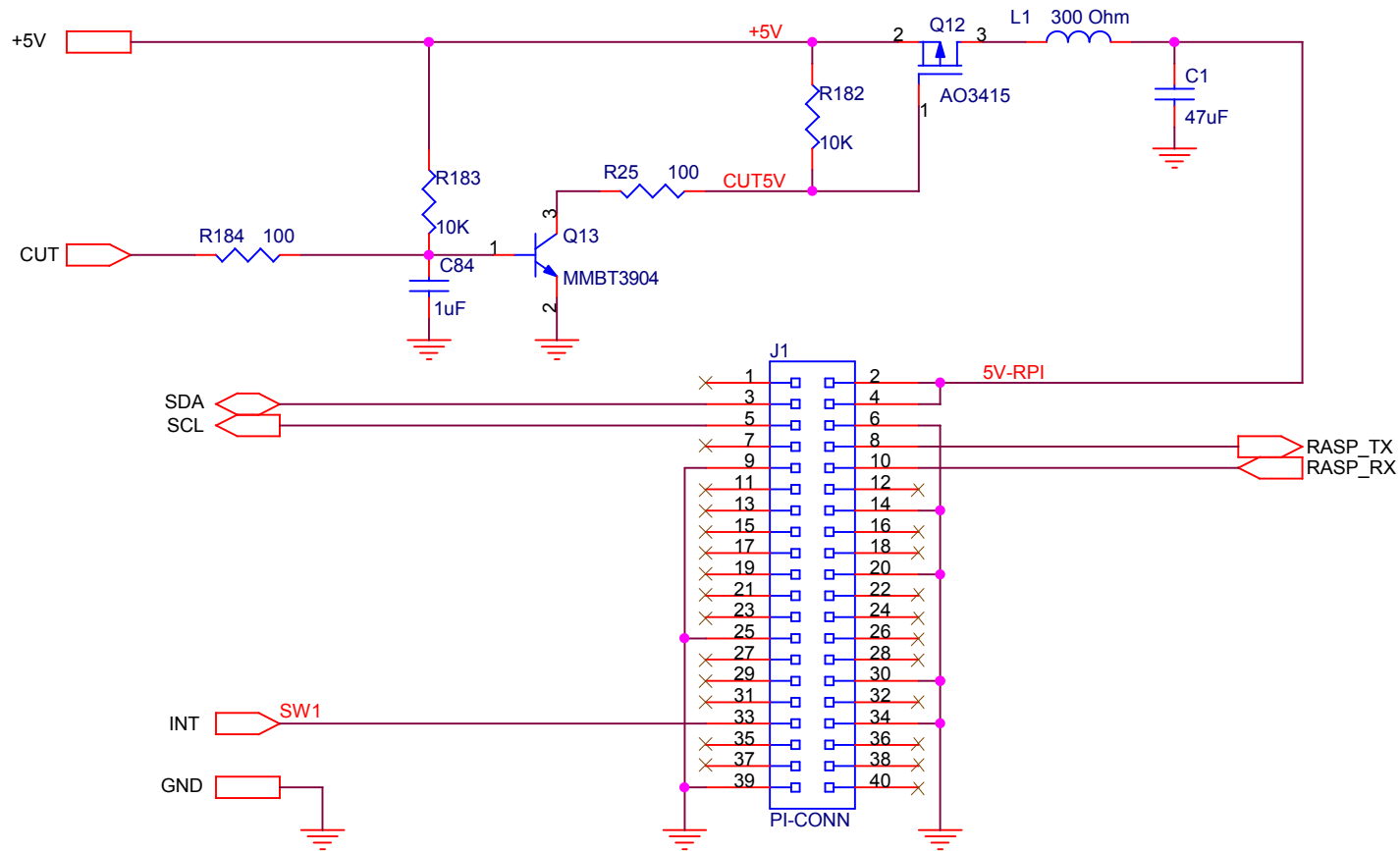


<b>SEQUENTMICROSYSTEMS.COM</b>		
Title MEGA-IND2		
Size A	Document Number 4-20mA Test Cable	Rev 1.1
Date:	Tuesday, August 25, 2020	Sheet 8 of 16

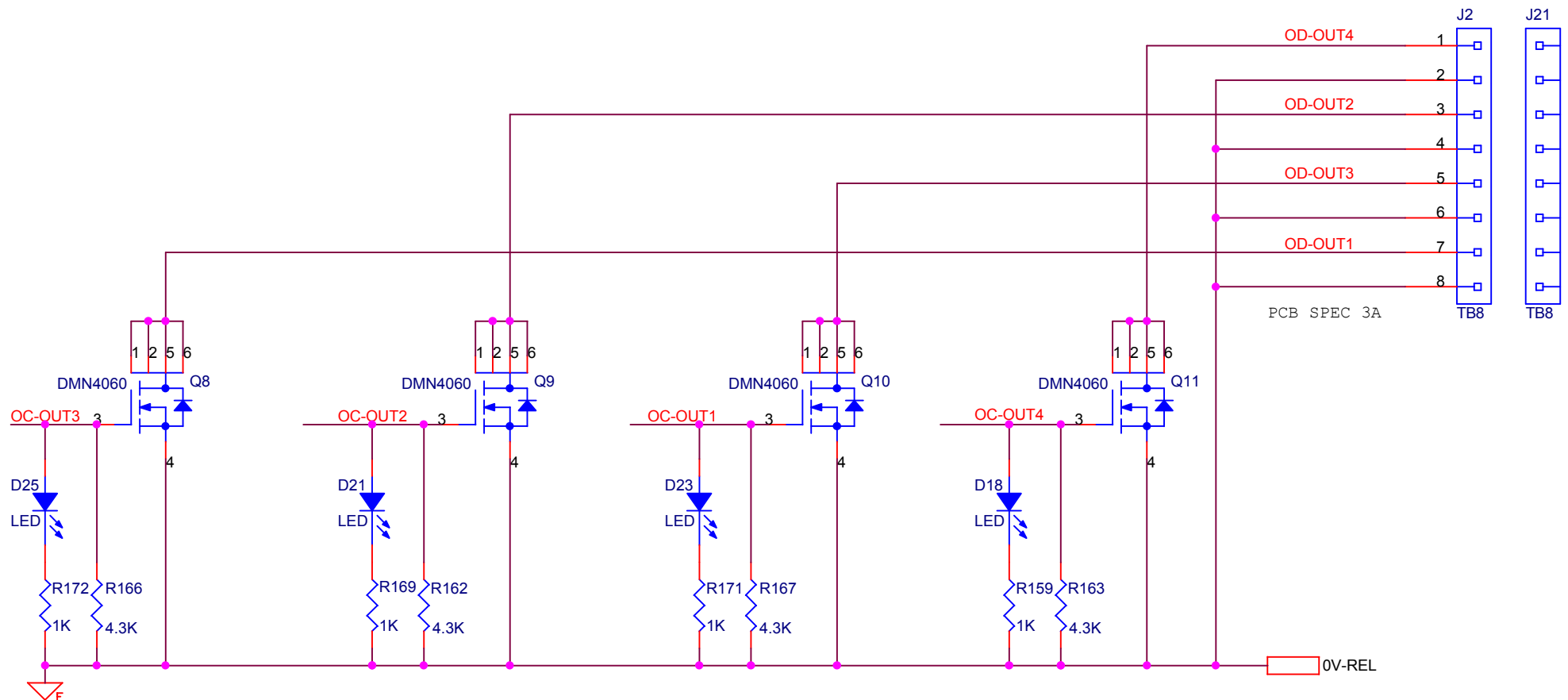




SEQUENTMICROSYSTEMS.COM		
Title		
MEGA-IND2		
Size	Document Number	Rev
A	Communication	1.1
Date:	Tuesday, August 25, 2020	Sheet 9 of 16

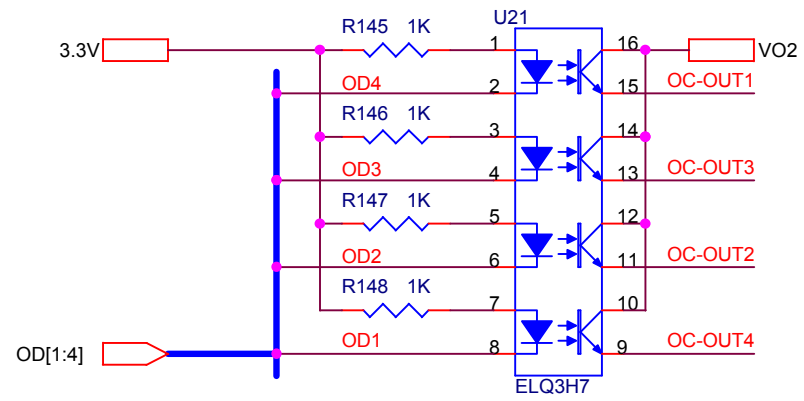
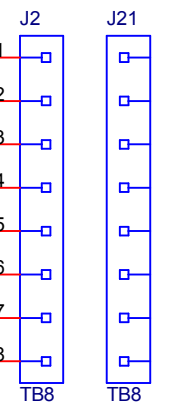


SEQUENTMICROSYSTEMS.COM		
Title		
MEGA-IND2		
Size	Document Number	Rev
A	Connectors	1.1
Date:	Tuesday, August 25, 2020	Sheet 10 of 16

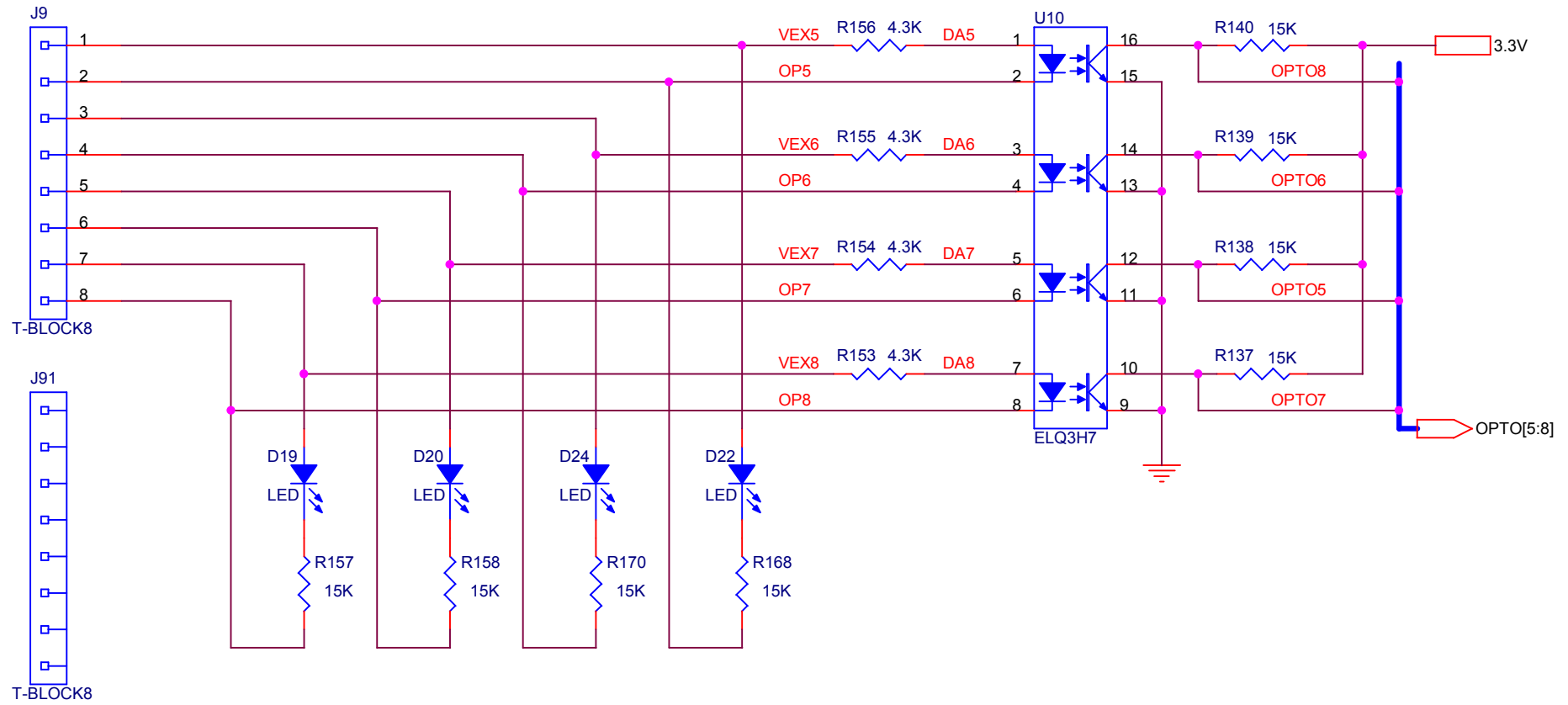


0V-REL

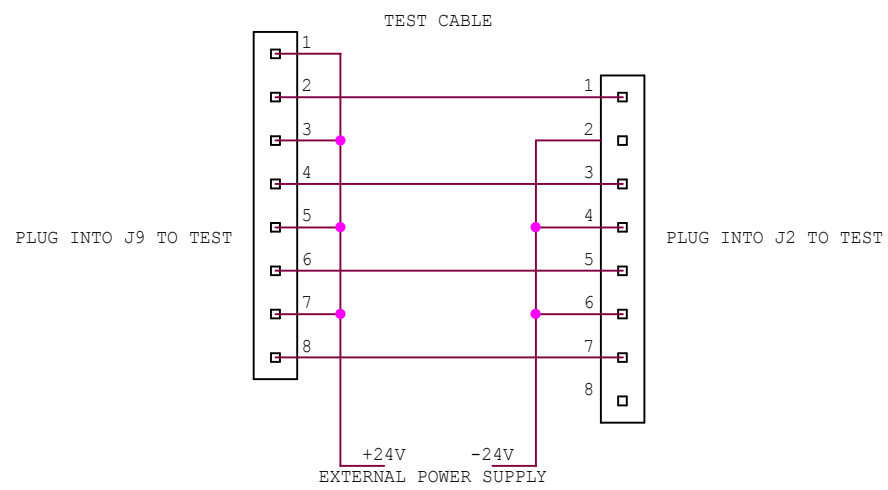
PCB SPEC 3A



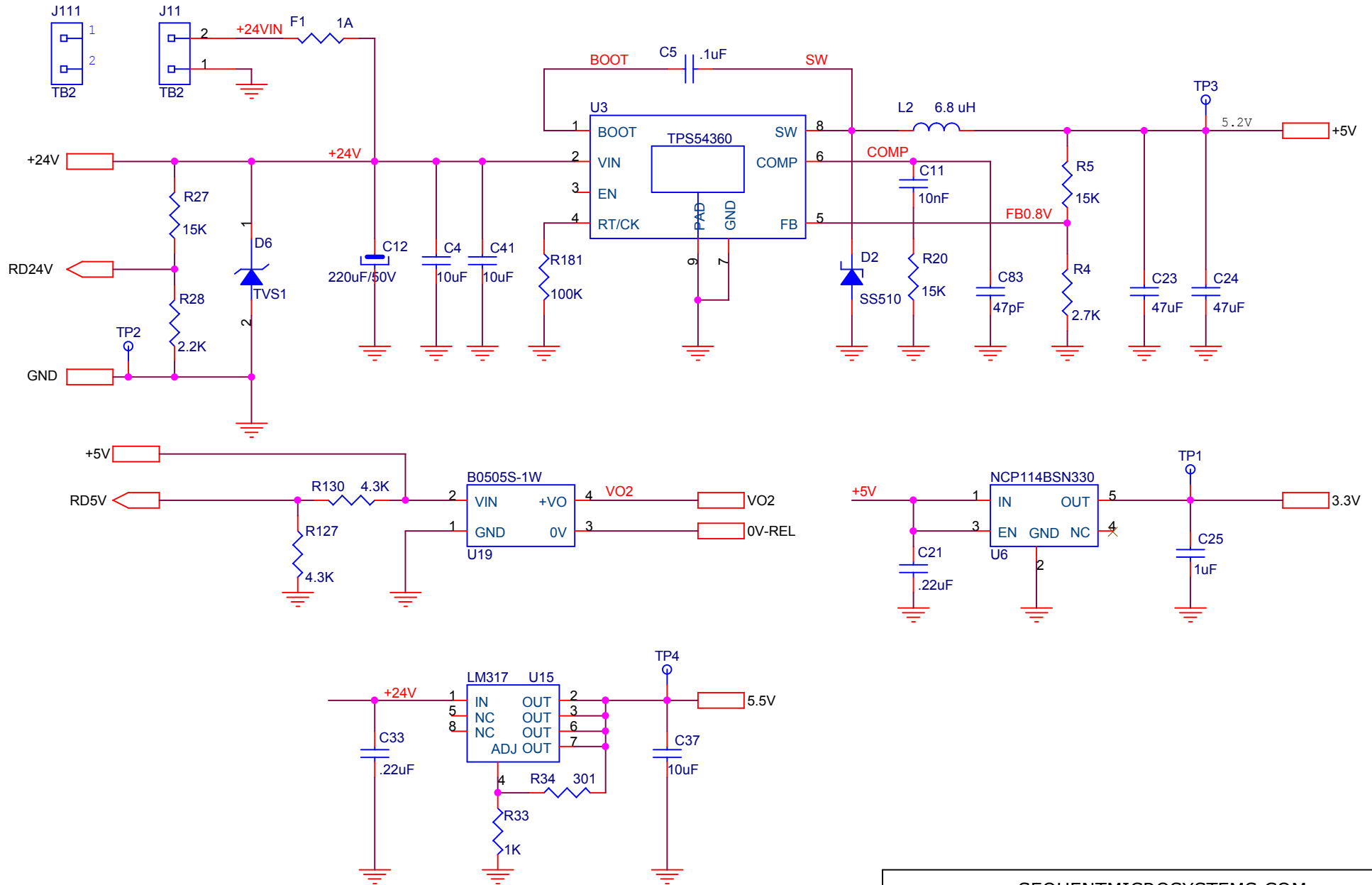
SEQUENTMICROSYSTEMS.COM		
Title MEGA-IND2		
Size A	Document Number OPEN DRAIN OUTPUTS	Rev 1.1
Date:	Tuesday, August 25, 2020	Sheet 11 of 16



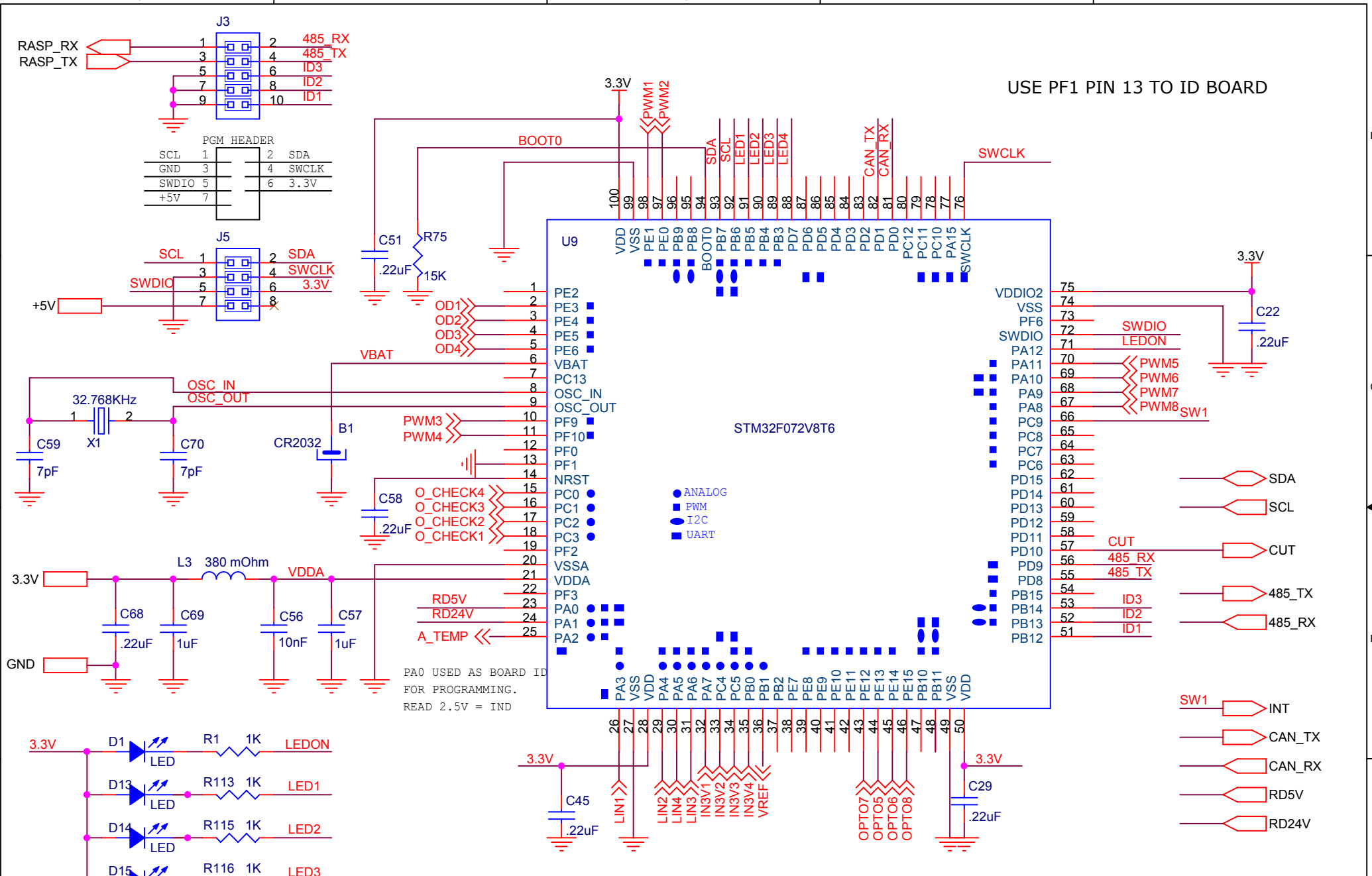
SEQUENTMICROSYSTEMS.COM		
Title		
MEGA-IND2		
Size	Document Number	Rev
A	Opto-inputs	1.1
Date:	Tuesday, August 25, 2020	Sheet 12 of 16



SEQUENTMICROSYSTEMS.COM		
Title		
MEGA-IND2		
Size	Document Number	Rev
A	IO Test Cable	1.1
Date:	Tuesday, August 25, 2020	Sheet 13 of 16
	2	1



<b>SEQUENTMICROSYSTEMS.COM</b>		
Title MEGA-IND2		
Size A	Document Number Power Supply	Rev 1.1
Date:	Tuesday, August 25, 2020	Sheet 15 of 16

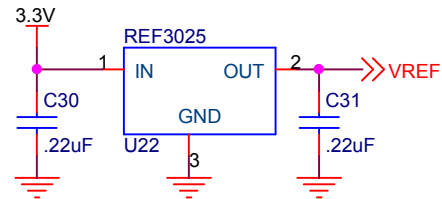
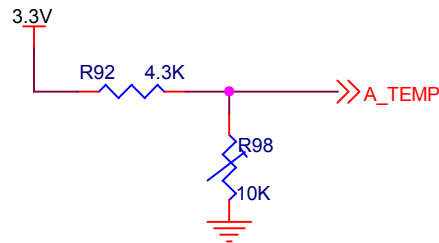
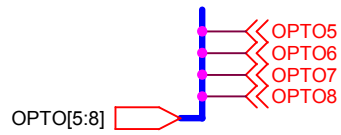
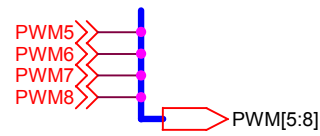
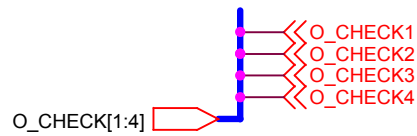
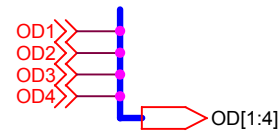
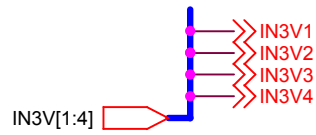
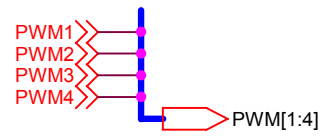
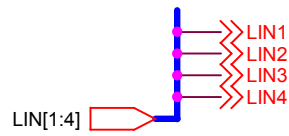


USE PF1 PIN 13 TO ID BOARD

STM32F072V8T6

PA0 USED AS BOARD ID FOR PROGRAMMING.  
READ 2.5V = IND

SEQUENTMICROSYSTEMS.COM		
Title		
MEGA-IND2		
Size	Document Number	Rev
A	Processor 1	1.1
Date:	Tuesday, August 25, 2020	Sheet 15 of 16



SEQUENTMICROSYSTEMS.COM		
Title		
MEGA-IND2		
Size	Document Number	Rev
A	Processor 2	1.1
Date:	Tuesday, August 25, 2020	Sheet 16 of 16