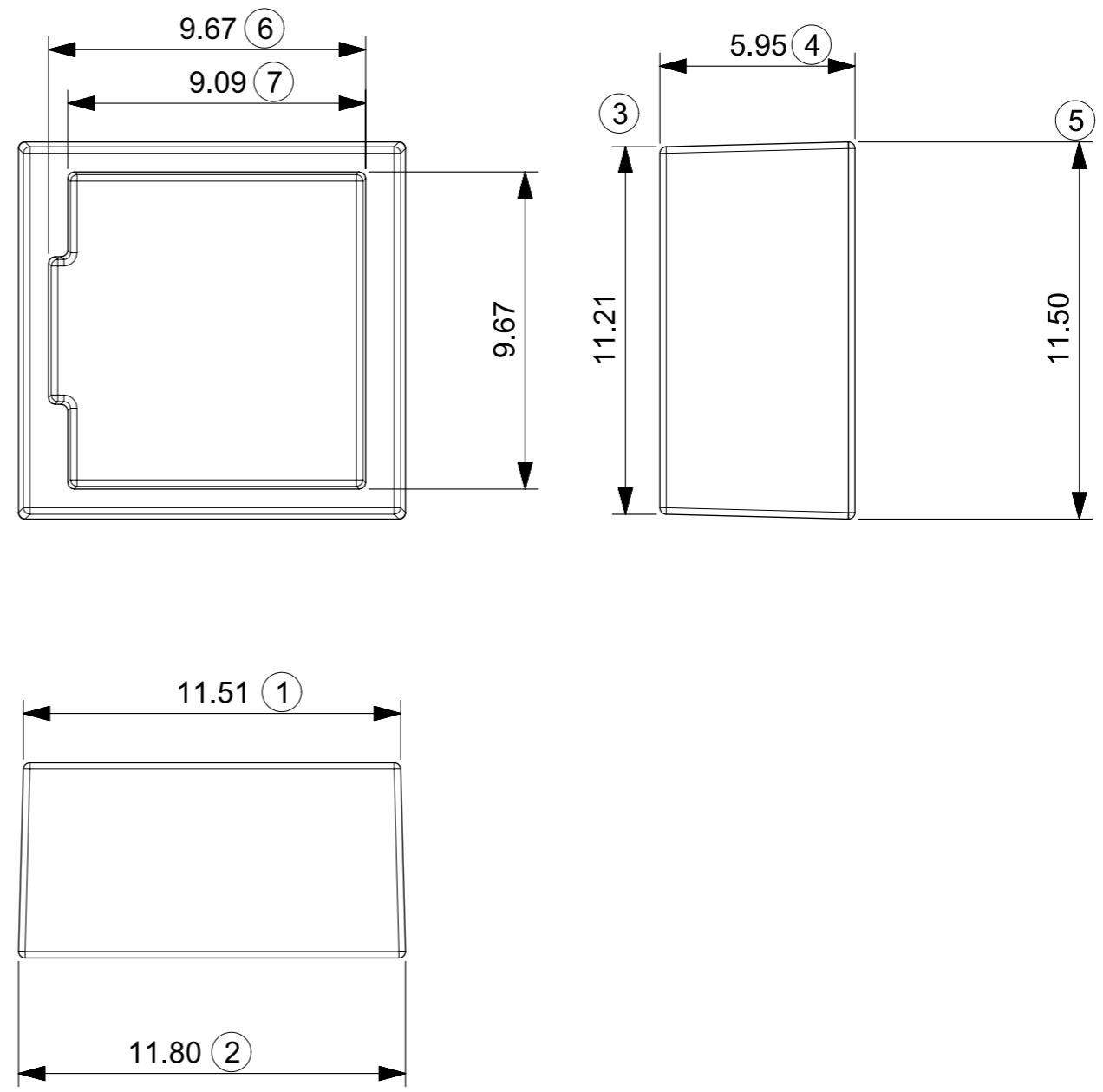
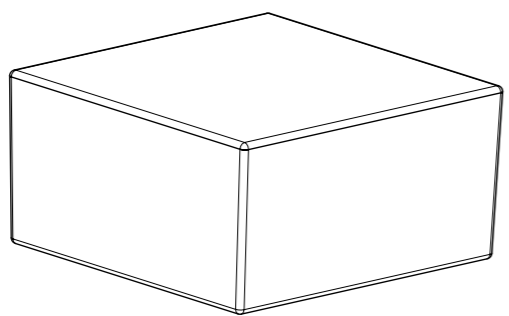
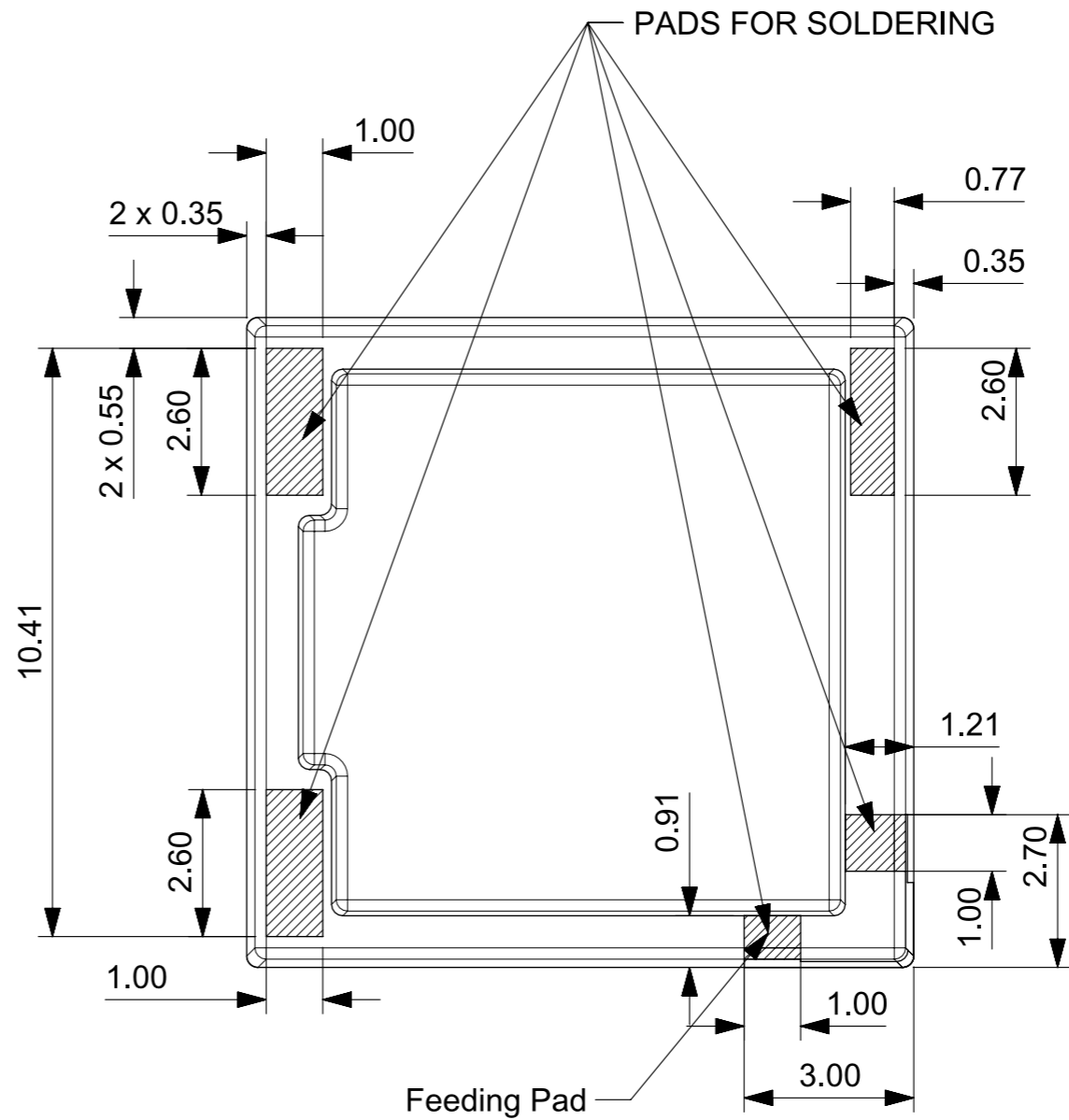
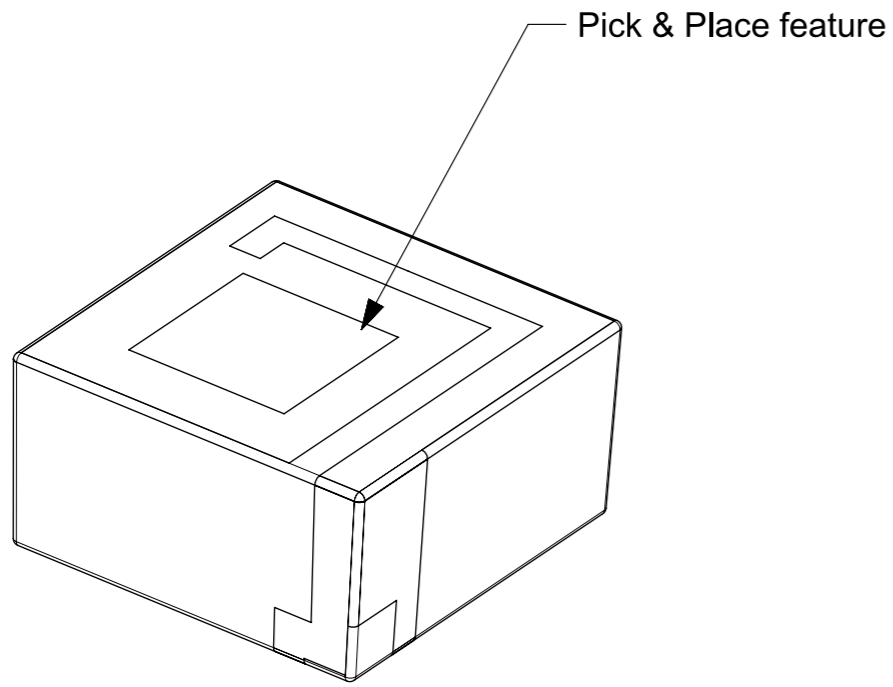


MOLEX					CUSTOMER			DRAWING LOCATION	CHANGE DESCRIPTION	AFFECTED DEPT
DRAWING NO.	REV	ECN NO.	DATA	P/N	P/N	3D REV	2D REV			
SD-146216-001	A	ABU2016-0058	2016/01/18	1462160001				NEW RELEASE		
SD-146216-001	B	111421	2017/01/12	1462160001				UPDATE PAGE 2 AND PAGE 3, CHANGE RECOMMENDED PCB PATTERN LAYOUT		



NOTE:
 1. MATERIAL :LCP-LDS, VECTRA E840ILDS, 40% MINERAL FILLED LASER DIRECT STRUCTURING GRADE,UL94V-0;
 2.GENERAL TOLERANCE :+/-0.05MM
 3.PRODUCT COMPLANT TO ROHS DIERTIVE 2002/95/EC AND ELV DIRECTIVE2000/53/EC

THIS DRAWING CONTAINS INFORMATION THAT IS PROPRIETARY TO MOLEX INCORPORATED AND SHOULD NOT BE USED WITHOUT WRITTEN PERMISSION											
QUALITY SYMBOLS	EC NO. 2017/01/12	EC DRAWN 2017/01/12	EC CHKD 2017/01/12	EC APPR 2017/01/12	GENERAL TOLERANCES (UNLESS SPECIFIED)		DIMENSION UNITS	SCALE			
					ANGULAR TOL ± 0.5 °		mm	10:1			
▽ = 0	EC DESCRIPTION EC NO.: EC NO DRWN: EC DRAWN CHKD: EC CHKD APPR: EC APPR	B	REV	2017/01/12 2017/01/12 2017/01/12	4 PLACES ± 0.00000	DRAFT WHERE APPLICABLE MUST REMAIN WITHIN DIMENSIONS	DRWN BY	DATE	HOUSING FOR RHCP GPS		
▽ = 0					Zlrao		2017/01/12				
▽ = 0					3 PLACES ± 0.0000		CHK'D BY	DATE	PRODUCT DESIGN DRAWING		
▽ = 0					2 PLACES ± 0.000		Jack Shi	2017/01/12			
▽ = 0					1 PLACE ± 0.00		APPR BY	DATE	SERIES	MATERIAL NUMBER	CUSTOMER
▽ = 0					0 PLACES ± 0.00		Chris Yu	2017/01/12	146216	1462160001	GENERAL MARKET
▽ = 0					DRAWING SIZE	THIRD ANGLE PROJECTION	DOCUMENT NUMBER	DOC TYPE	DOC PART	SHEET NUMBER	
▽ = 0					A3		SD-146216-001	XXX	XXX	1 OF 3	



Notes:

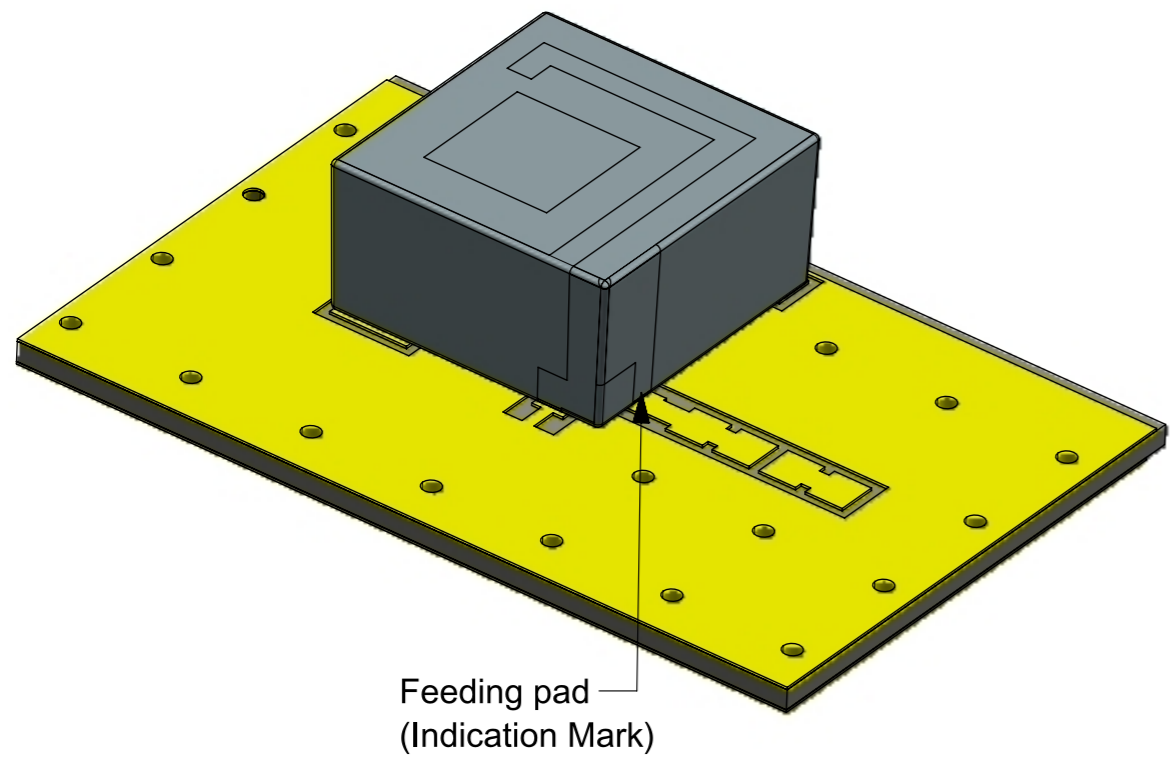
1. PLATING SPEC:

- Cu: 12 um MINIMUM;
- Ni: 2um MINIMUM;
- Au : 0.1uM MINIMUM

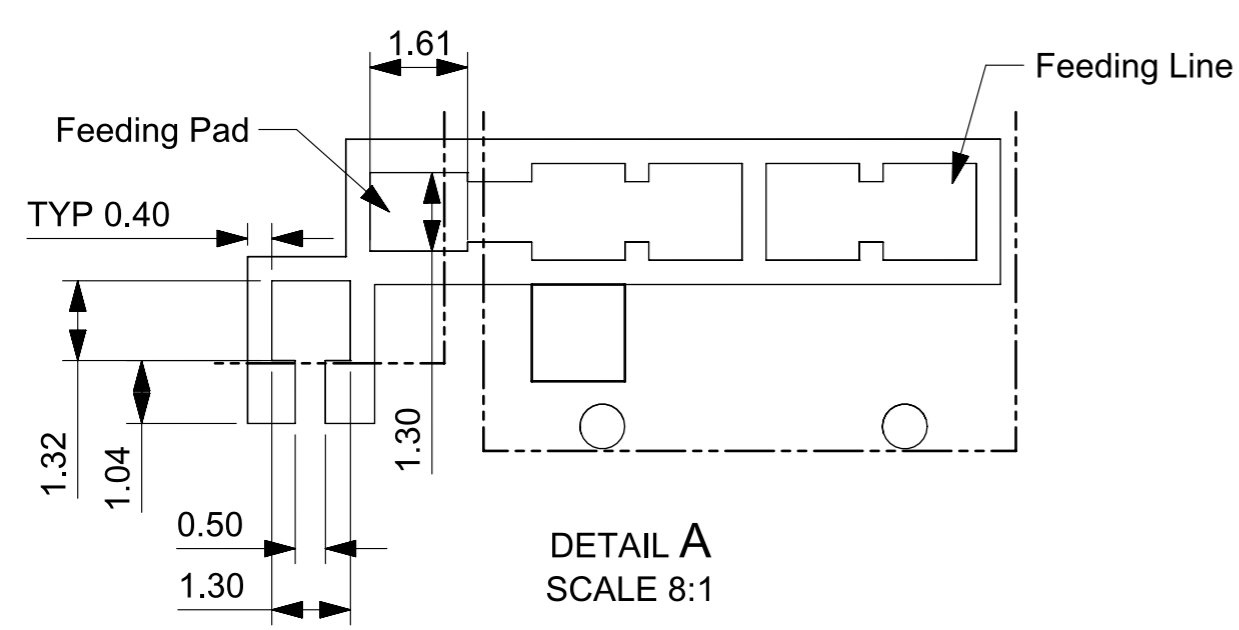
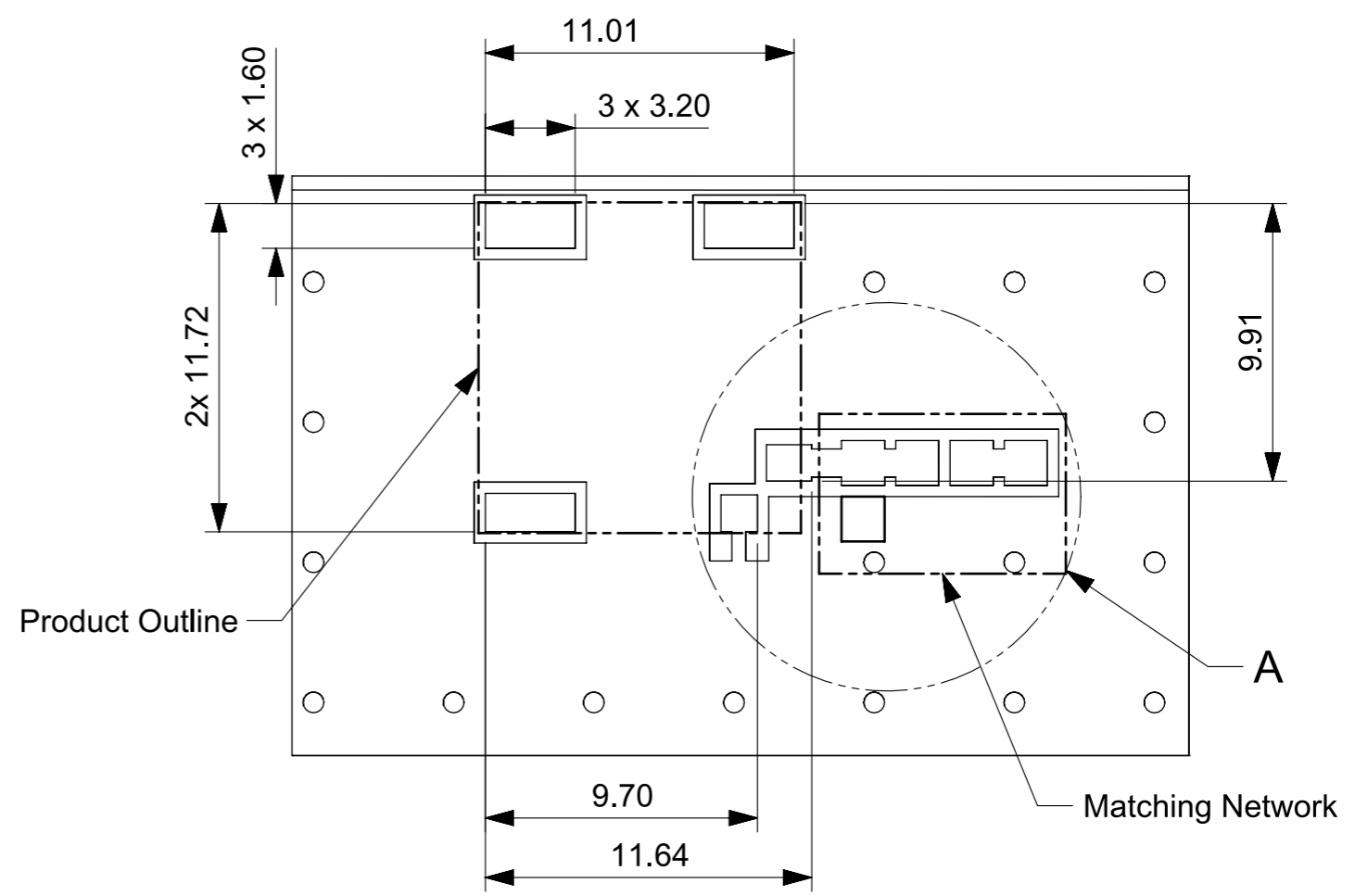
2. OVER FLOWING OF PATTERN PROFILE AFTER PLATING:0.03uM MAXIMUM.

THIS DRAWING CONTAINS INFORMATION THAT IS PROPRIETARY TO MOLEX INCORPORATED AND SHOULD NOT BE USED WITHOUT WRITTEN PERMISSION											
QUALITY SYMBOLS ▽ = 0 ▽ = 0 ▽ = 0 ▼ = 0 ▽ = 0 ☒ = 0 ■ = 0 ▽ = 0	EC DESCRIPTION EC NO: 2017/01/12 DRWN: 2017/01/12 CHK'D: 2017/01/12 APPR: 2017/01/12	GENERAL TOLERANCES (UNLESS SPECIFIED)		DIMENSION UNITS	SCALE						
		ANGULAR TOL ± 0.5 °		mm	10:1						
		4 PLACES ± 0.00000		DRWN BY	DATE	PATTERN FOR RHCP GPS					
		3 PLACES ± 0.0000		Zlrao	2017/01/12						
		2 PLACES ± 0.000		CHK'D BY	DATE	PRODUCT DESIGN DRAWING					
		1 PLACE ± 0.00		Jack Shi	2017/01/12						
		0 PLACES ± 0.00		APPR BY	DATE	SERIES: 146216 MATERIAL NUMBER: 1462160001 CUSTOMER: GENERAL MARKET					
		DRAFT WHERE APPLICABLE MUST REMAIN WITHIN DIMENSIONS		Chris Yu	2017/01/12						
				DRAWING SIZE	THIRD ANGLE PROJECTION	DOCUMENT NUMBER: SD-146216-001 DOC TYPE: XXX DOC PART: XXX SHEET NUMBER: 2 OF 3					
				A3							

RELEASE STATUS	RELEASE DATE
----------------	--------------



RECOMMENDED PCB PATTERN LAYOUT



THIS DRAWING CONTAINS INFORMATION THAT IS PROPRIETARY TO MOLEX INCORPORATED AND SHOULD NOT BE USED WITHOUT WRITTEN PERMISSION														
QUALITY SYMBOLS	EC NO. EC NO. 2017/01/12	DRWN: EC DRAWN 2017/01/12	CHK'D: EC CHKD 2017/01/12	REV APPR: EC APPR 2017/01/12	GENERAL TOLERANCES (UNLESS SPECIFIED)		DIMENSION UNITS	SCALE						
					ANGULAR TOL ± 0.5 °		mm	1:1						
▽ = 0	EC DESCRIPTION EC NO. EC NO. 2017/01/12 DRWN: EC DRAWN 2017/01/12 CHK'D: EC CHKD 2017/01/12 REV APPR: EC APPR 2017/01/12	4 PLACES ± 0.00000 3 PLACES ± 0.0000 2 PLACES ± 0.000 1 PLACE ± 0.00 0 PLACES ± 0.00	DRWN BY		DATE		Zlrao		2017/01/12		FOOTPRINT FOR RHCP GPS			
▽ = 0			CHK'D BY		DATE		Jack Shi		2017/01/12					
▽ = 0			APPR BY		DATE		Chris Yu		2017/01/12					
▼ = 0			DRAFT WHERE APPLICABLE MUST REMAIN WITHIN DIMENSIONS		DRAWING SIZE	THIRD ANGLE PROJECTION		A3				PRODUCT DESIGN DRAWING		
▽ = 0			SERIES		MATERIAL NUMBER		CUSTOMER		146216		1462160001		GENERAL MARKET	
▽ = 0			DOCUMENT NUMBER		DOC TYPE		DOC PART		SHEET NUMBER		SD-146216-001		XXX XXX 3 OF 3	

RELEASE STATUS	RELEASE DATE
----------------	--------------