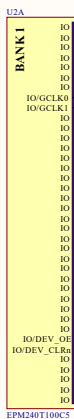
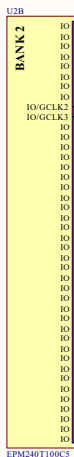
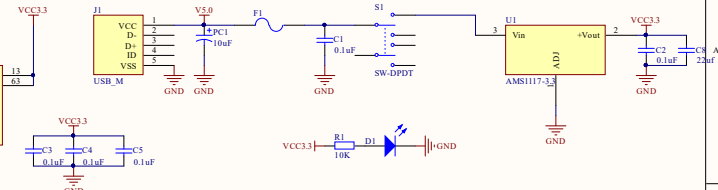
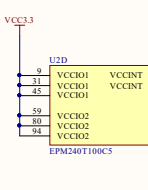
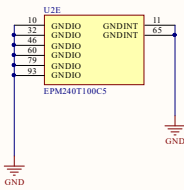


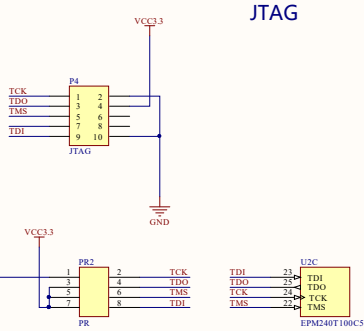
CPLD



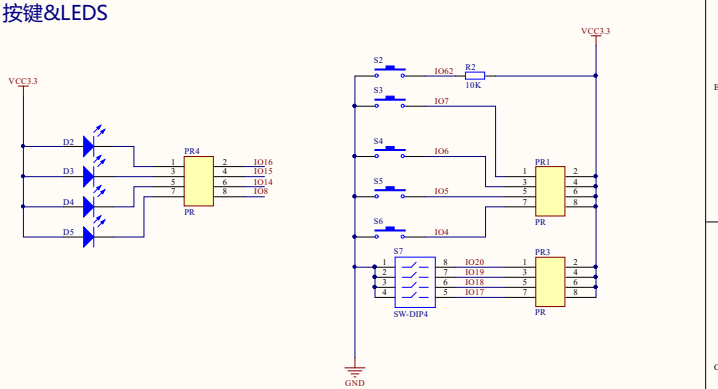
电源



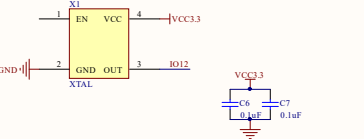
JTAG



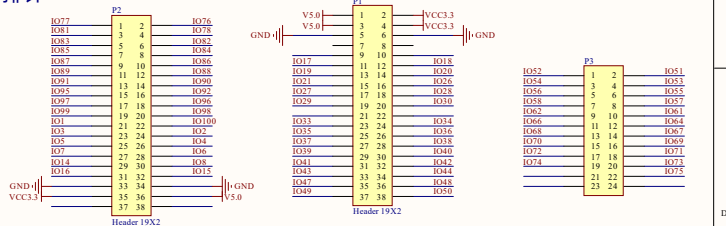
按键&LEDS



XTAL



IO排针



qlqc.taobao.com

Size	Number	Revision
A3		
Date:	2015/11/21 星期六	Sheet of
File:	F:\chips\project_cpm240_Core_board_Sch1	Drawn By: