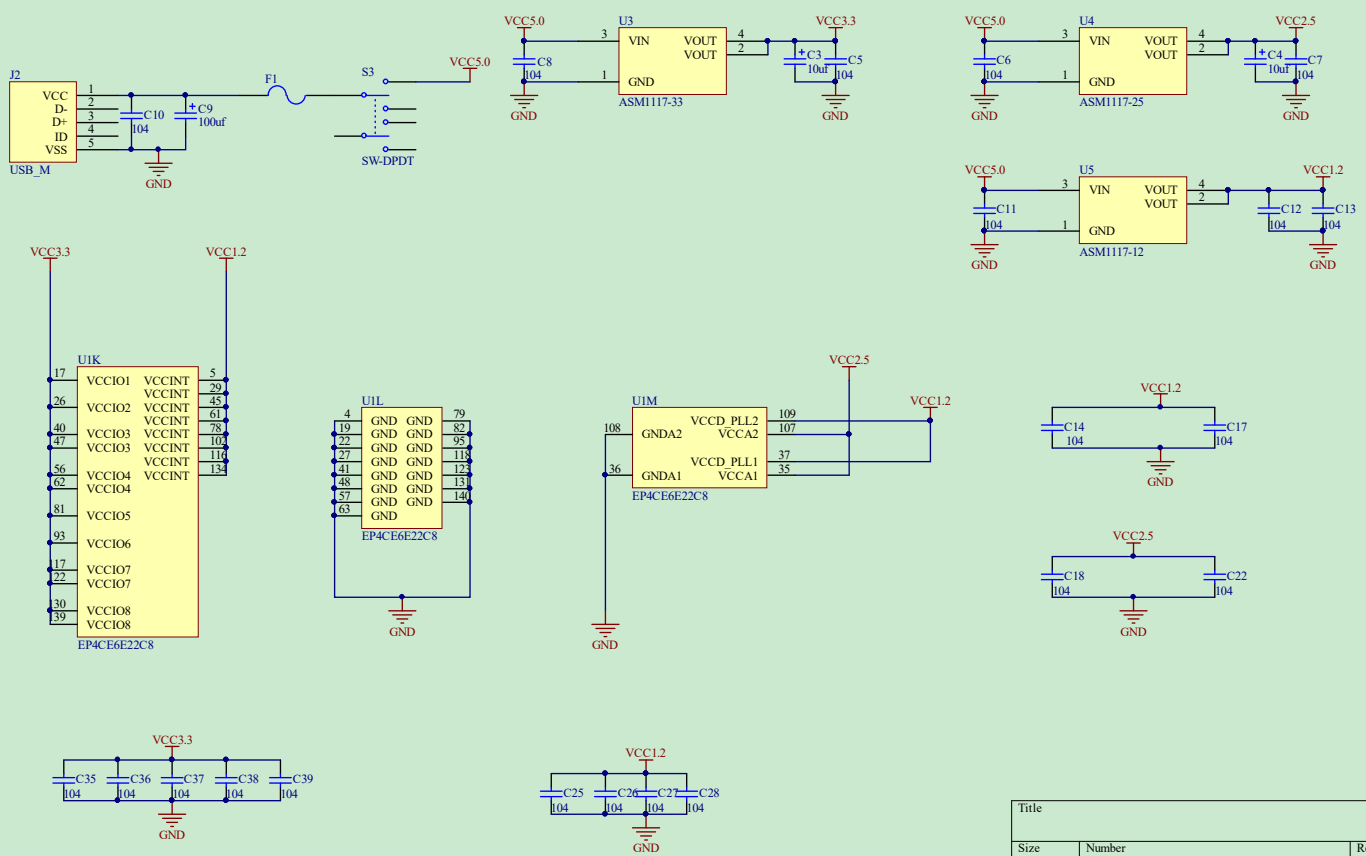


Title		
Size A4	Number	Revision
Date: 2015/12/7 星期一	Sheet of	
File: F:\pcbproject\EFGA_JTAG.SchDoc	Drawn By:	



Title		
Size	Number	Revision
A4		
Date:	2015/12/7 星期一	Sheet of
File:	F:\pcbproject\EFGA_Power.SchDoc	Drawn By: