

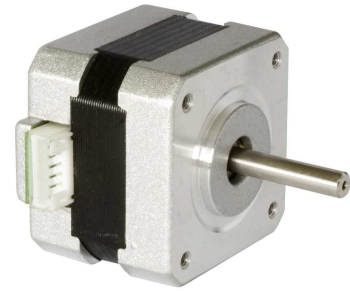
CHANGZHOU HETAI ELECTRIC MOTORS & ELECTRIC APPLIANCE CO.,LTD

42BYGHW

SERIES HYBRID STEPPING MOTOR:

General Specifications:

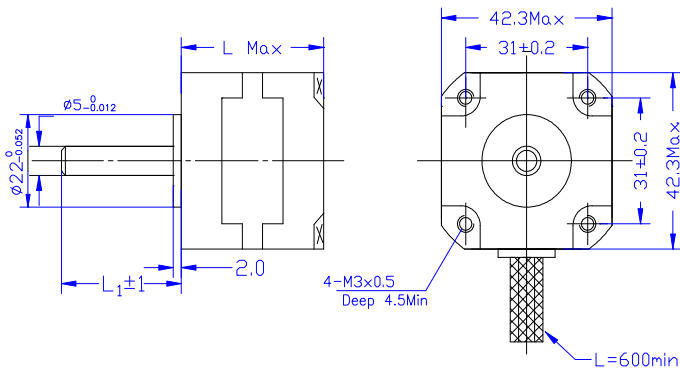
- Step Accuracy.....±5%
- Temperature Rise.....80° C Max
- Ambient temperature Range.....-20° C—+50° C
- Insulation Resistance.....100MΩ Min.500VC DC
- Dielectric Strength.....500V AC 1 minute



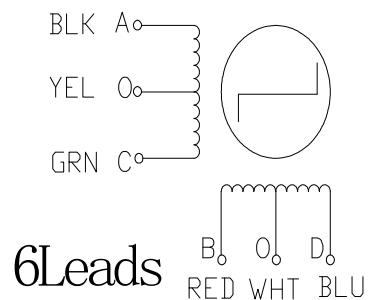
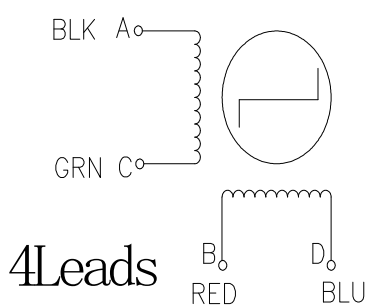
Electrical Specifications:

Model	Step angle (°)	Motor Length L(mm)	Rate Voltage (V)	Rate Current (A)	Phase Resistance (Ω)	Phase Inductance (mH)	Holding Torque (N.m)	Lead Wire (No.)	Rotor Inertia (g. C m ²)	Detent Torque (g. cm)	Motor Weight (kg)
42BYGHW205-03	1.8	34	11	0.3	36.6	22	0.2	6	34	200	0.2
42BYGHW208-04	1.8	34	12	0.4	30	37	0.31	4	34	200	0.2
42BYGHW213-06-01	1.8	34	11.7	0.6	19.5	13.5	0.28	5	34	200	0.2
42BYGHW602-02	1.8	40	11.76	0.4	29.4	21.8	0.29	6	54	220	0.24
42BYGHW607-01	1.8	40	3.7	1.2	3.11	2.9	0.31	6	54	220	0.24
42BYGHW609	1.8	40	3.4	1.7	2	3	0.4	4	54	220	0.24
42BYGHW801-05	1.8	48	12	0.4	31	25.4	0.4	6	68	280	0.34
42BYGHW804	1.8	48	3.6	1.2	3	5	0.48	4	68	280	0.34
42BTGHW811	1.8	48	3.12	2.5	1.25	1.8	0.5	4	68	280	0.34

Mechanical Dimensions:



Wiring diagram:



Pulse-torque Characteristics:

