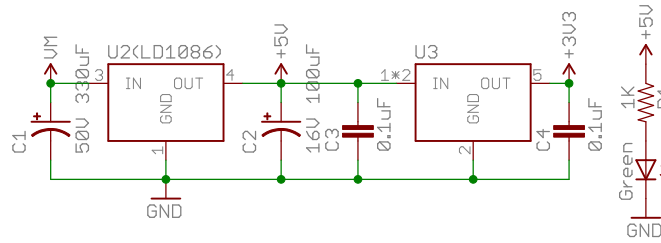
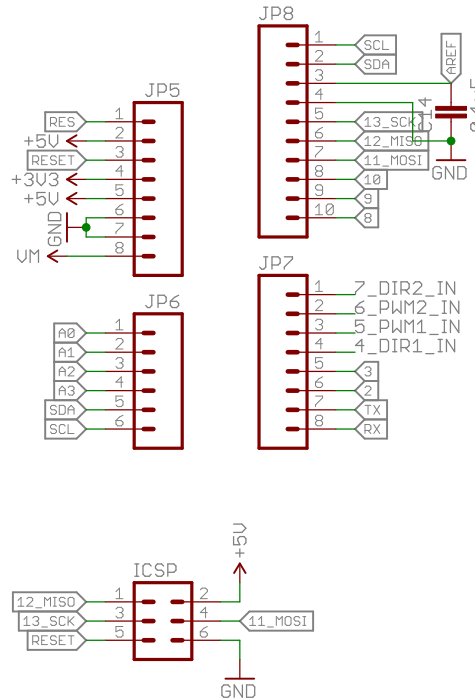


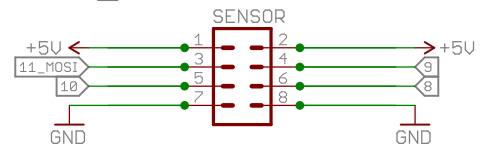
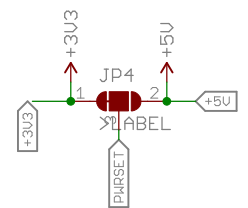
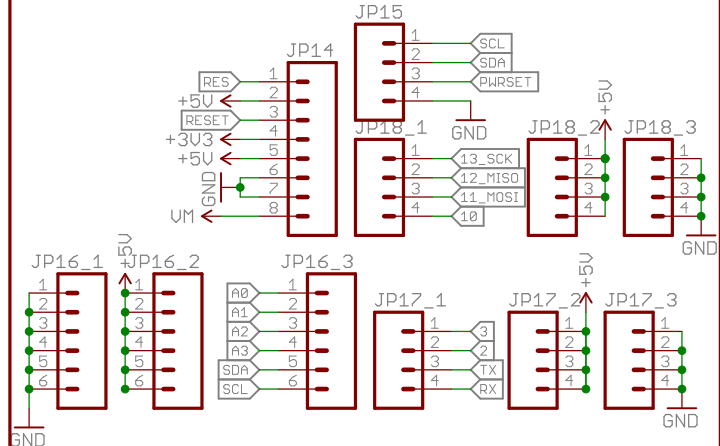
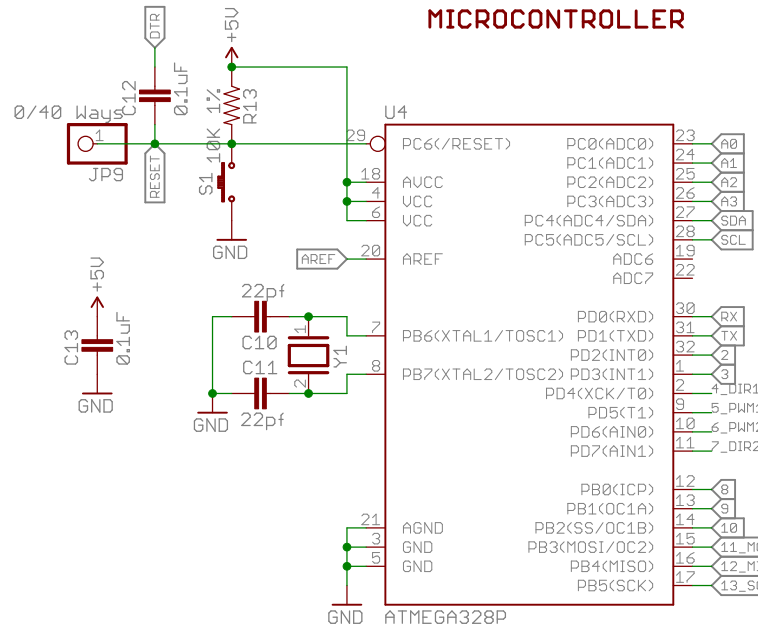
### POWER



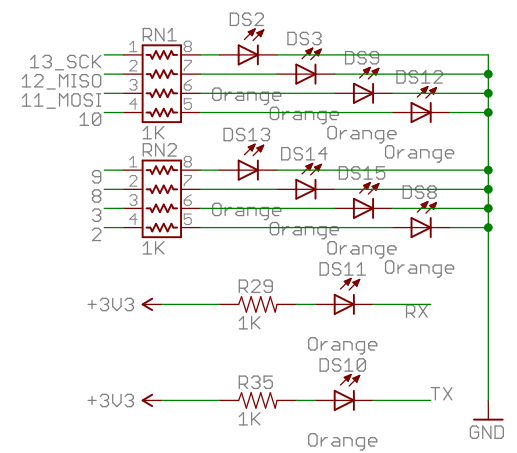
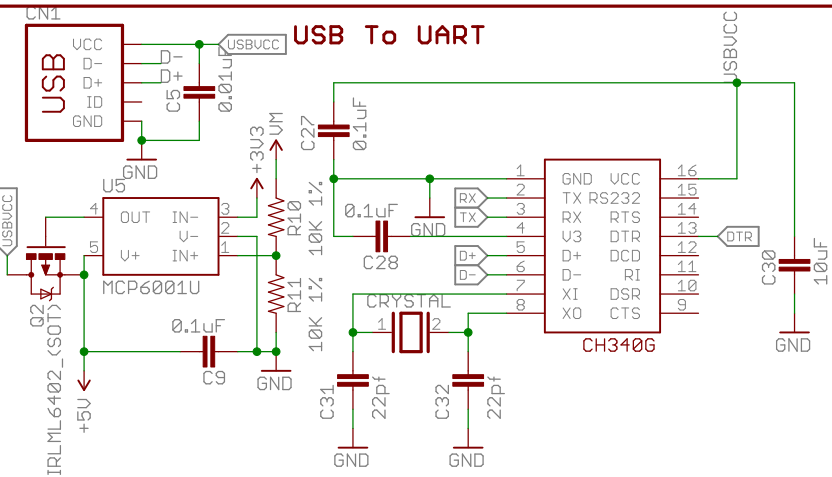
### Arduino Shield



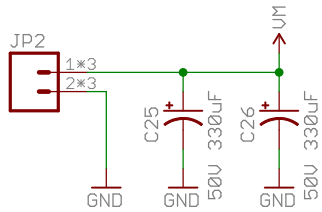
### MICROCONTROLLER



### USB To UART



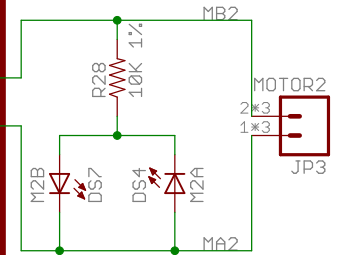
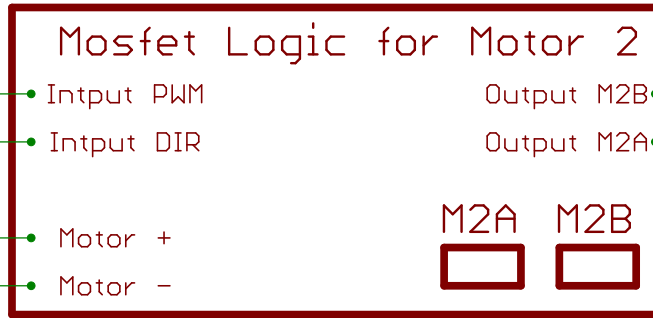
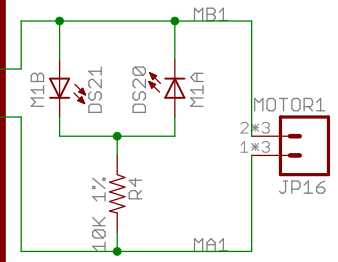
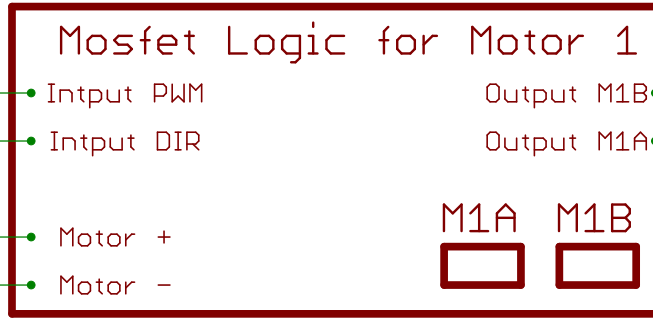
POWER



MOSFET & GATE DRIVER

INPUT SIGNAL

| Motor Output Logic |      |      |      |        |
|--------------------|------|------|------|--------|
| MxA                | MxB  | DIR  | PWM  | OUTPUT |
| HIGH               | LOW  | X    | X    | MAx    |
| LOW                | HIGH | X    | X    | MBx    |
| LOW                | LOW  | LOW  | HIGH | MAx    |
| LOW                | LOW  | HIGH | HIGH | MBx    |
| LOW                | LOW  | X    | LOW  | OFF    |



Name: 13Amp DC Motor Driver - SMD Compatible

Product Code: URC10 Diagram Edited REV: 1.0.0

Date: 22-Feb-2019 2:52:51 PM

Sheet: 2/2

