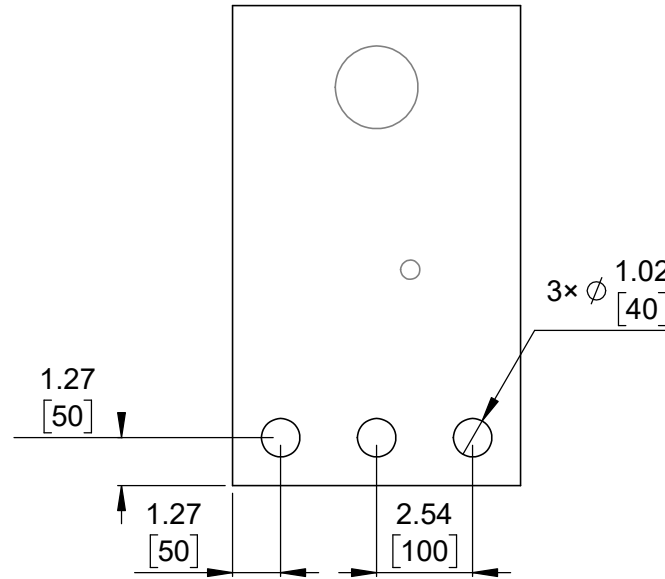
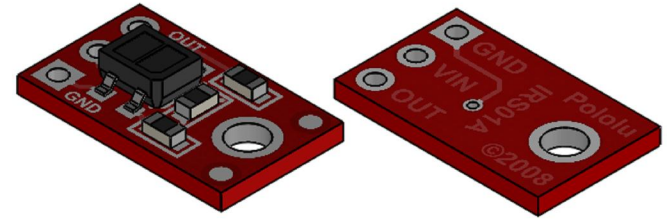


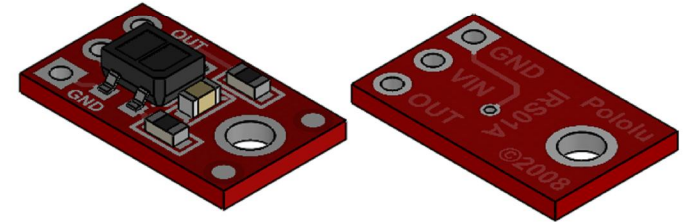
1 Board dimensions (top view)
Scale 5:1



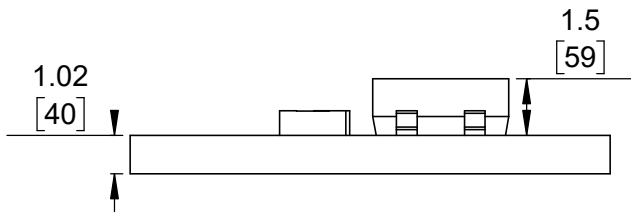
2 Connector callouts (bottom view)
Scale 5:1



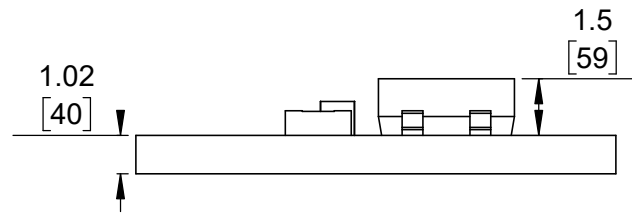
3 Isometric view (QTR-1A)
Scale 3:1



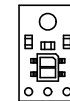
4 Isometric view (QTR-1RC)
Scale 3:1



5 Profile (QTR-1A)
Scale 5:1



6 Profile (QTR-1RC)
Scale 5:1



7 Actual size
Scale 1:1

1. To get the specified scale, select 100% in print settings.
2. Drill location tolerance: ± 0.1 [± 5].
3. Board edge tolerance: ± 0.3 [± 10].

<https://www.pololu.com/product/2458>

| | | |
|------------------------------------|---------------------|----------------------------|
| Name: QTR-1x Reflectance Sensor | | Item number: 2458, 2459 |
| Drawing date: 19 June 2017 | Dev code: irs01a | |
| Units: mm [mil] | Material: mixed | |

