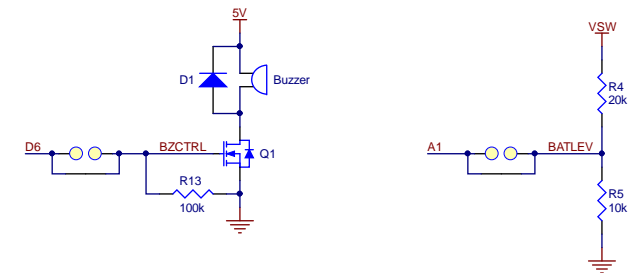
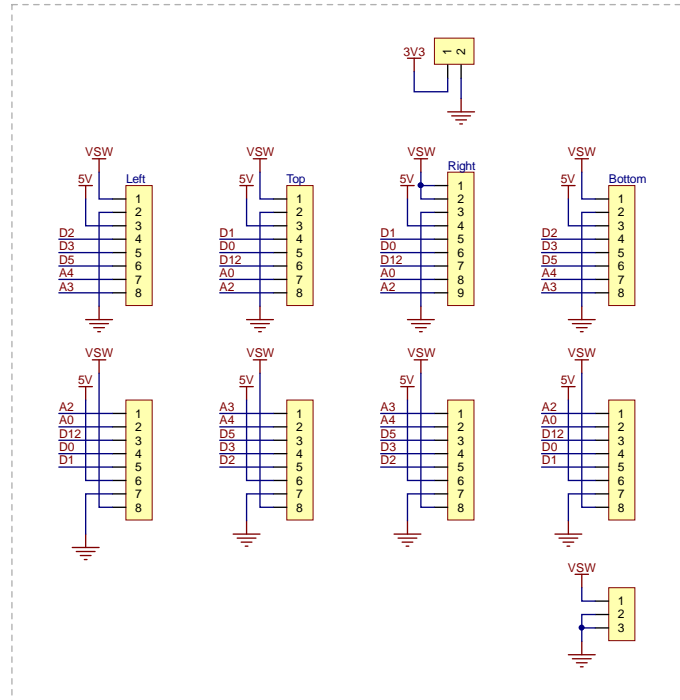
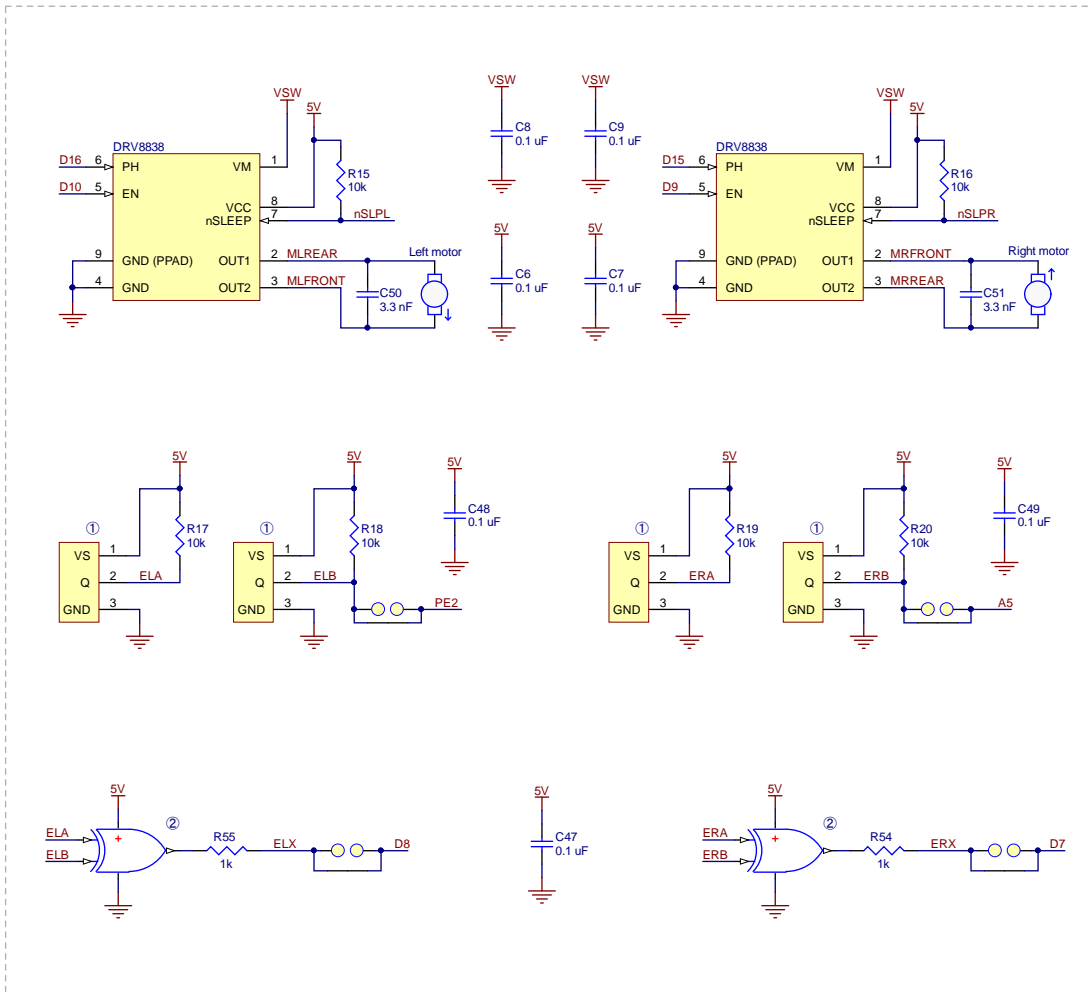


Expansion areas

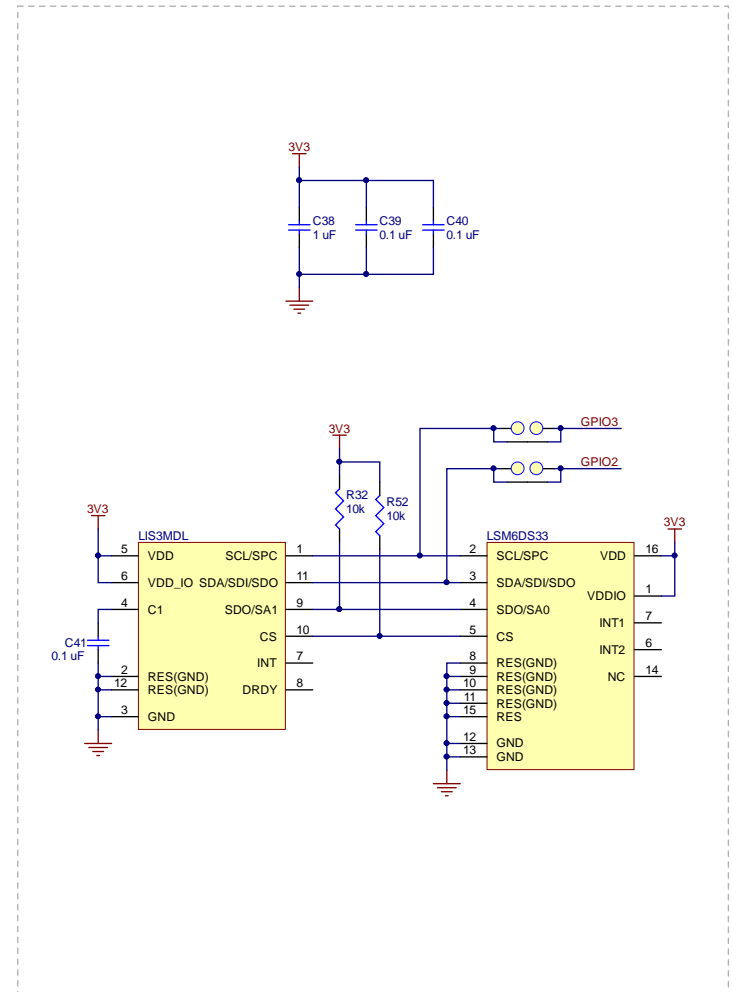


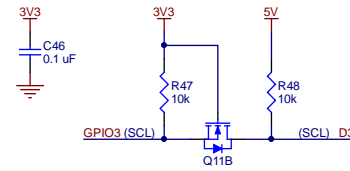
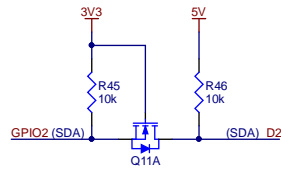
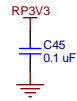
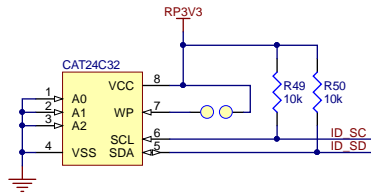
Motors and encoders



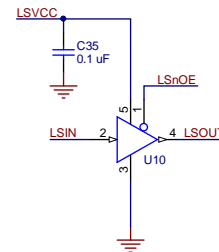
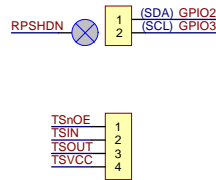
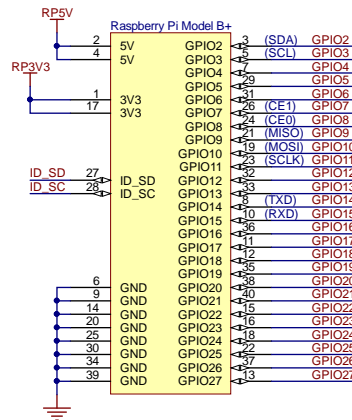
① Hall effect sensor ICs in SOT-23 packages, e.g. AH1751
② Implemented as 74LVC1G58 multi-function gate with pin 3 tied to pin 1

Inertial sensors





Dedicated I2C bidirectional shifters



General-purpose tristatable unidirectional shifter

