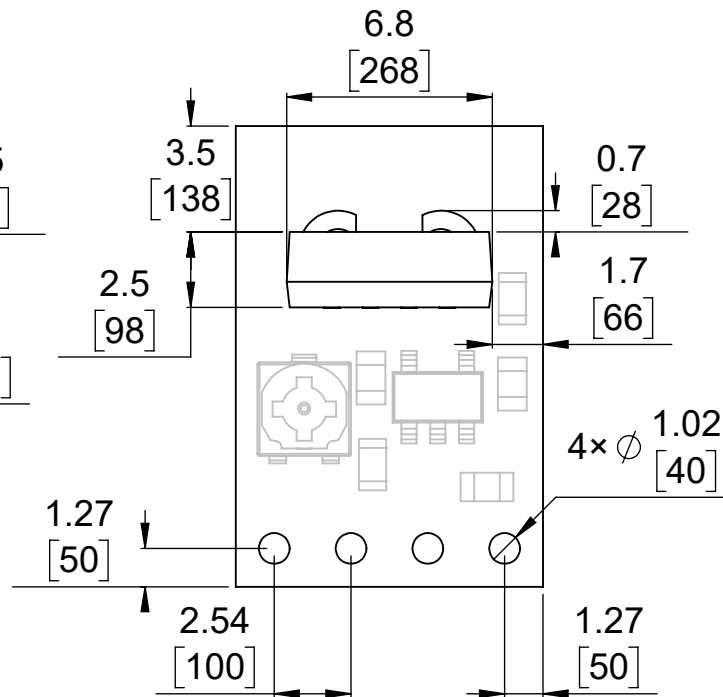
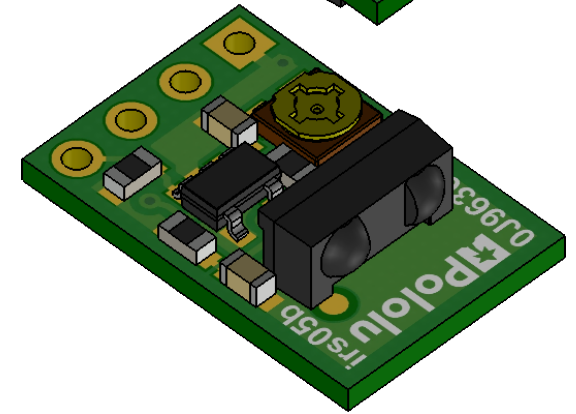
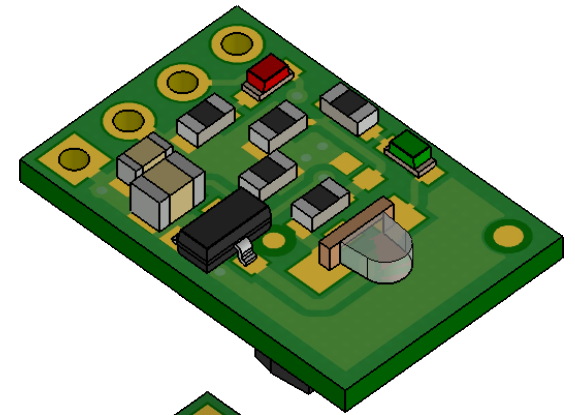


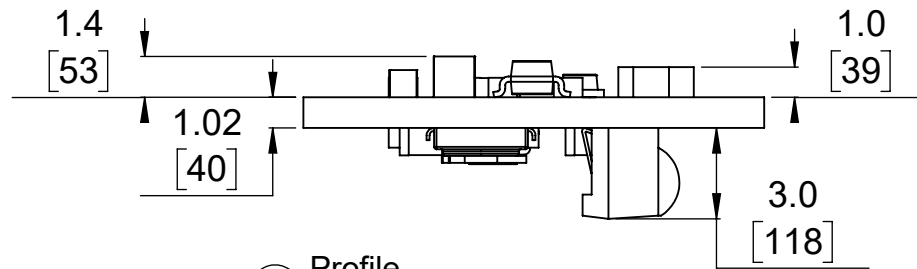
① Board dimensions (top view)  
Scale 4:1



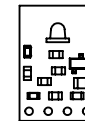
② Connector callouts (bottom view)  
Scale 4:1



③ Isometric view  
Scale 4:1



④ Profile  
Scale 4:1



⑤ Actual size  
Scale 1:1

1. To get the specified scale, select 100% in print settings.
2. Drill location tolerance:  $\pm 0.1$  [ $\pm 5$ ].
3. Board edge tolerance:  $\pm 0.3$  [ $\pm 10$ ].

<https://www.pololu.com/product/2578>

Name: Pololu 38 kHz IR Proximity Sensor

Item number:  
2578, 2579

Drawing date:  
18 October 2016

Units: mm  
[mil]

PCB dev code:  
irs05b

