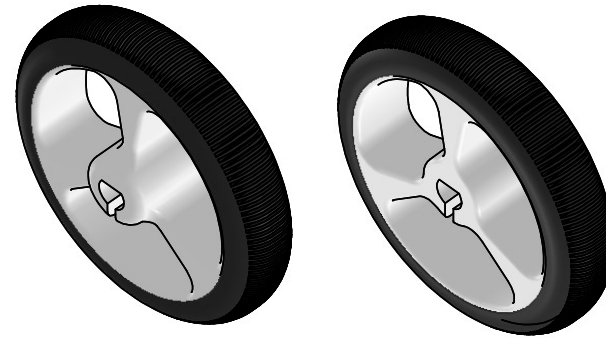
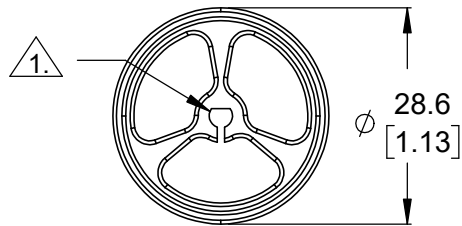


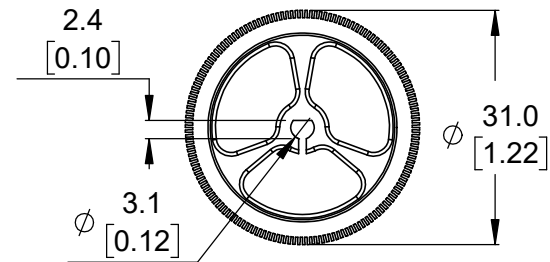
① Profile view without tire  
Scale 3:2



② Isometric view  
Scale 3:2



③ Front view without tire (actual size)  
Scale 1:1




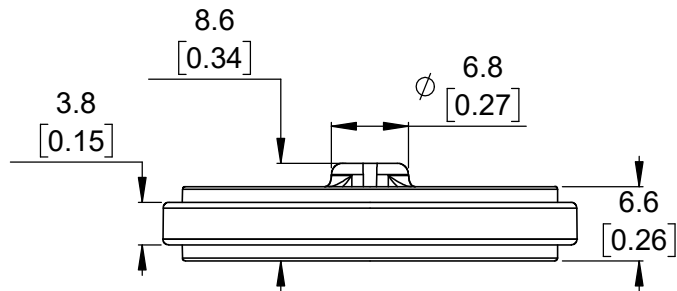
④ Front view with tire (actual size)  
Scale 1:1

①  
②

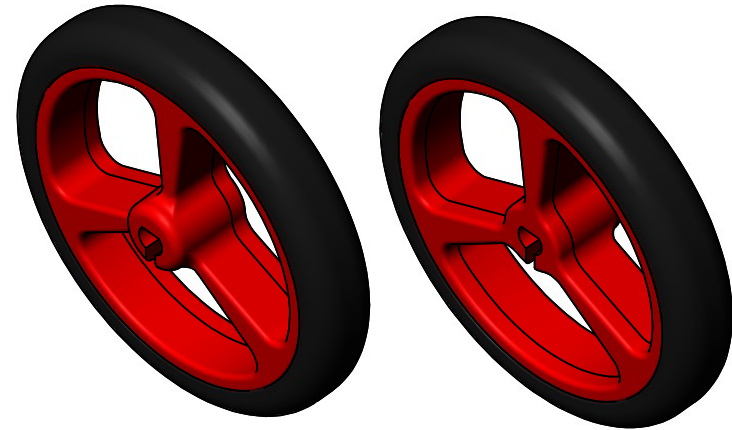
Fits 3 mm D-shaft.  
To get the specified scale, select 100% in print settings.

<https://www.pololu.com/product/1087>

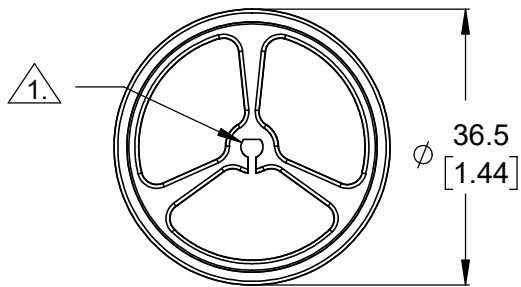
Name: Pololu Wheels 32x7mm		Item number: 1087, 1088
Drawing date: 12 September 2019	Dev code: w3d01a	 <b>Pololu</b> Robotics & Electronics © 2019 Pololu Corporation
Units: mm [in]	Material: ABS & silicone	



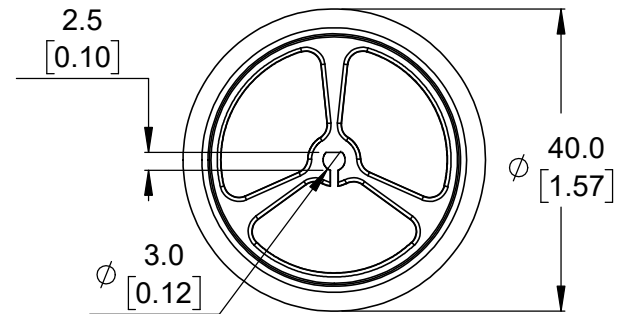
① Profile view without tire  
Scale 3:2



② Isometric view  
Scale 3:2



③ Front view without tire (actual size)  
Scale 1:1




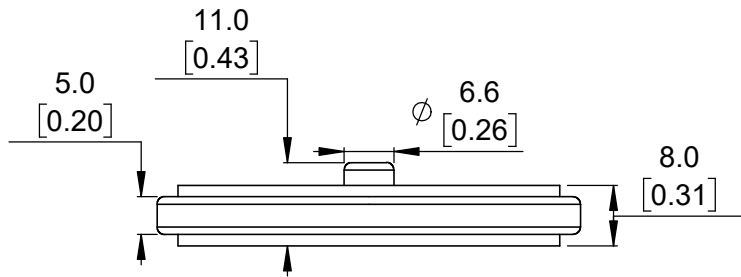
④ Front view with tire (actual size)  
Scale 1:1

①.  
2.

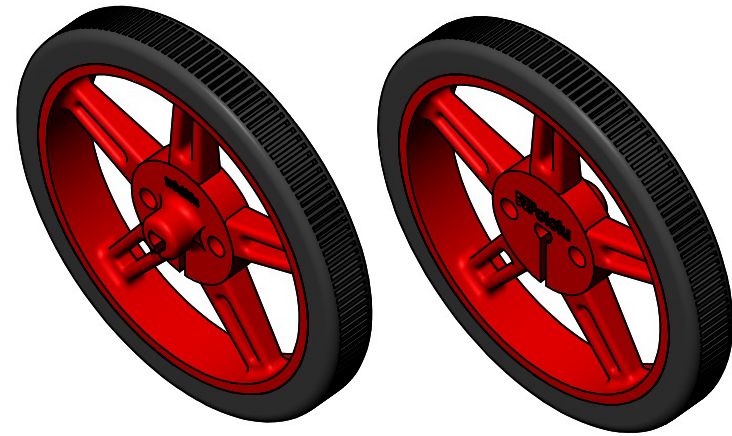
Fits 3 mm D-shaft.  
To get the specified scale, select 100% in print settings.

<https://www.pololu.com/product/1452>

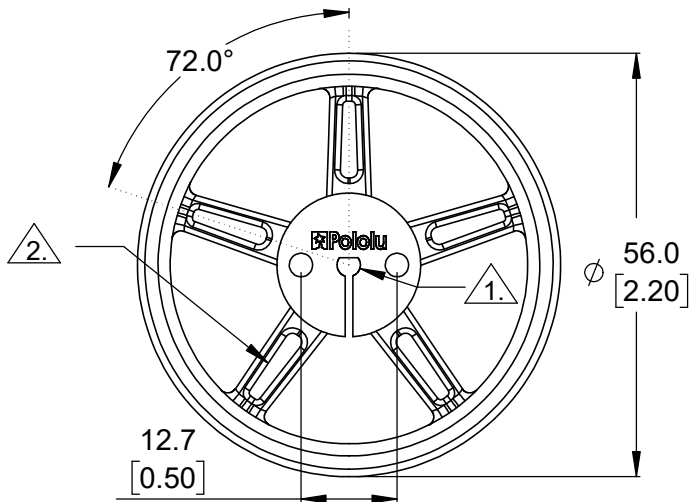
Name: Pololu Wheels 40×7mm		Item number: 1452-1454
Drawing date: 12 September 2019	Dev code: w3d08a	 <b>Pololu</b> Robotics & Electronics © 2019 Pololu Corporation
Units: mm [in]	Material: ABS & silicone	



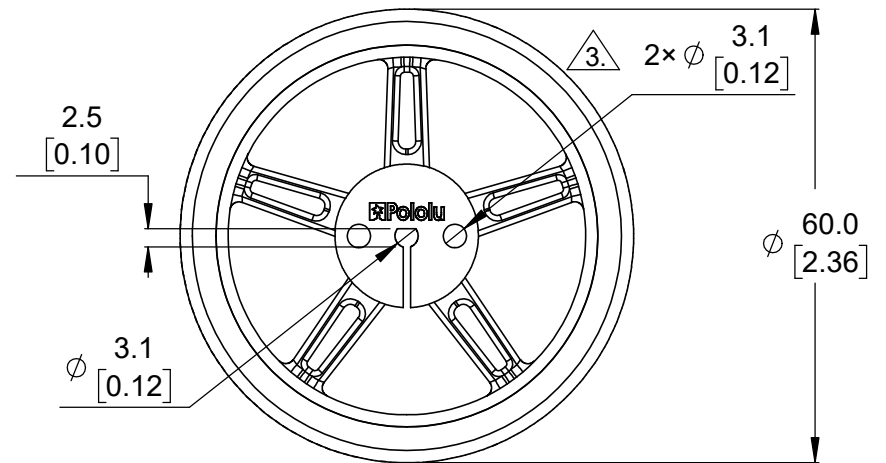
① Profile view without tire  
Scale 1:1



② Isometric view  
Scale 1:1




③ Front view without tire (actual size)  
Scale 1:1

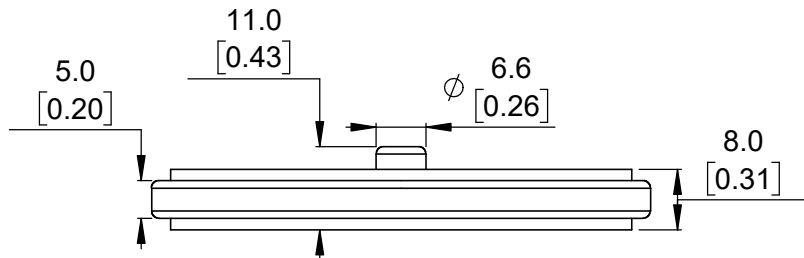


④ Front view with tire (actual size)  
Scale 1:1

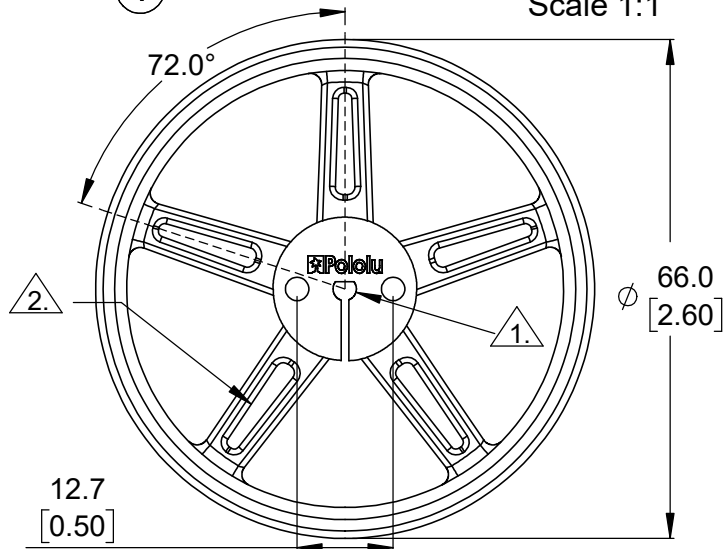
- ① Fits 3 mm D-shaft.
- ② Mounting slots fit #2 and M2 screws.
- ③ Intended for #4-40 and M3 screws.
- 4. To get the specified scale, select 100% in print settings.

<https://www.pololu.com/product/1420>

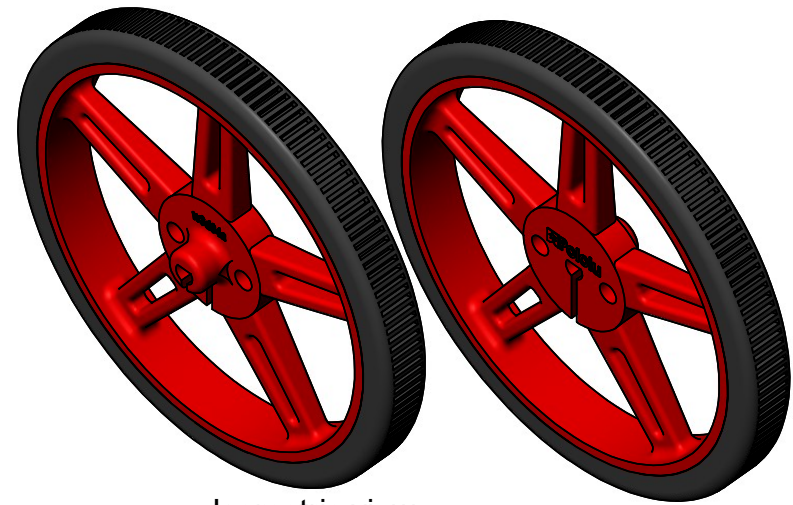
Name: Pololu Wheel 60×8mm		Item number: 1420-1424
Drawing date: 12 September 2019	Dev code: w3d03a	 © 2019 Pololu Corporation
Units: mm [in]	Material: ABS & silicone	



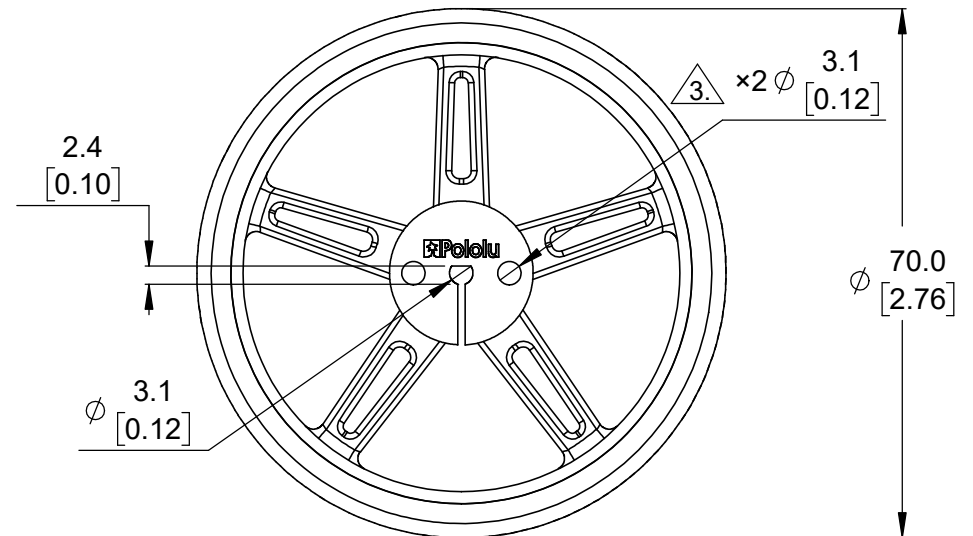
① Profile view without tire  
Scale 1:1



③ Front view without tire (actual size)  
Scale 1:1




② Isometric view  
Scale 1:1

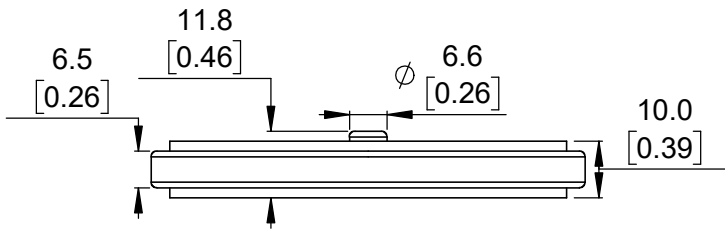


④ Front view with tire (actual size)  
Scale 1:1

- ① Fits 3 mm D-shaft.
- ② Mounting slots fit #2 and M2 screws.
- ③ Intended for #4-40 and M3 screws.
- 4. To get the specified scale, select 100% in print settings.

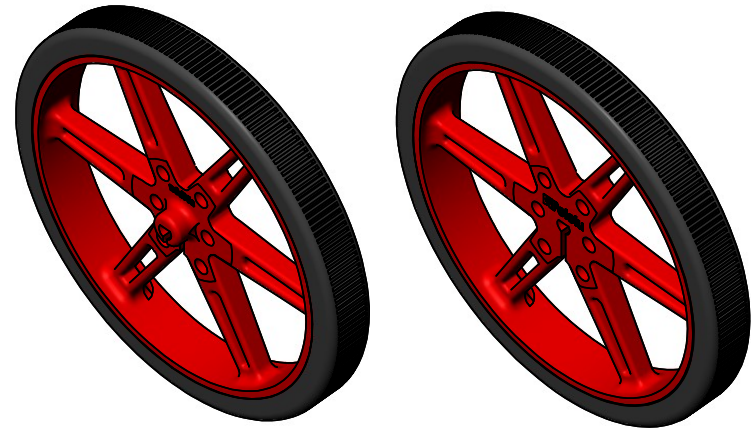
<https://www.pololu.com/product/1425>

Name: Pololu Wheel 70×8mm		Item number: 1425-1429
Drawing date: 12 September 2019	Dev code: w3d04a	 © 2019 Pololu Corporation
Units: mm [in]	Material: ABS & silicone	



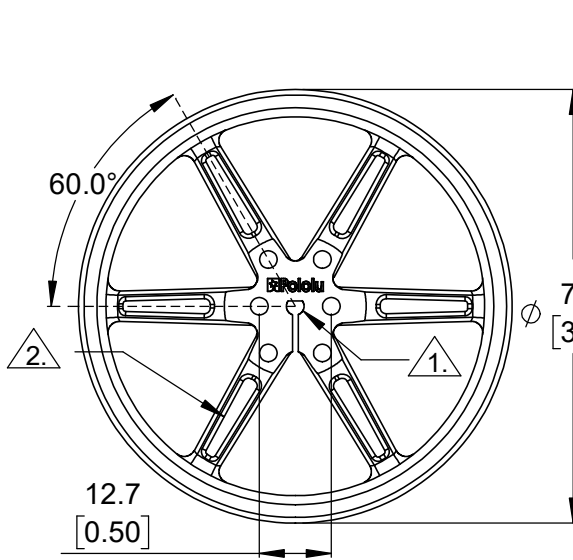
① Profile view without tire

Scale 3:4



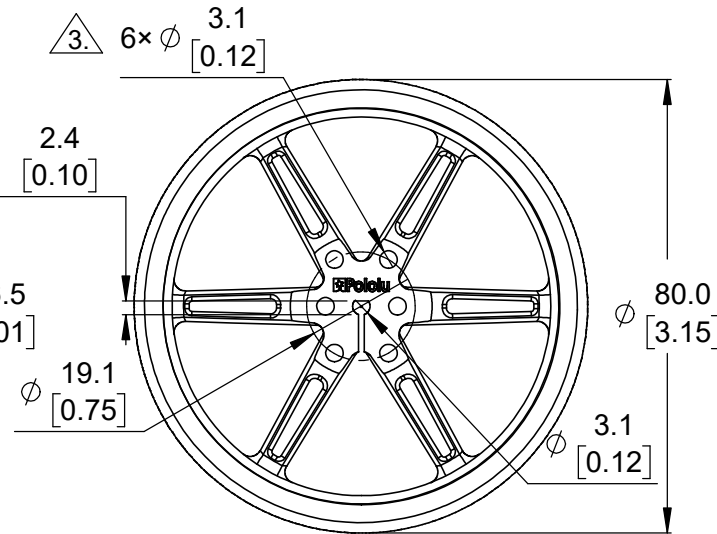
② Isometric view

Scale 3:4



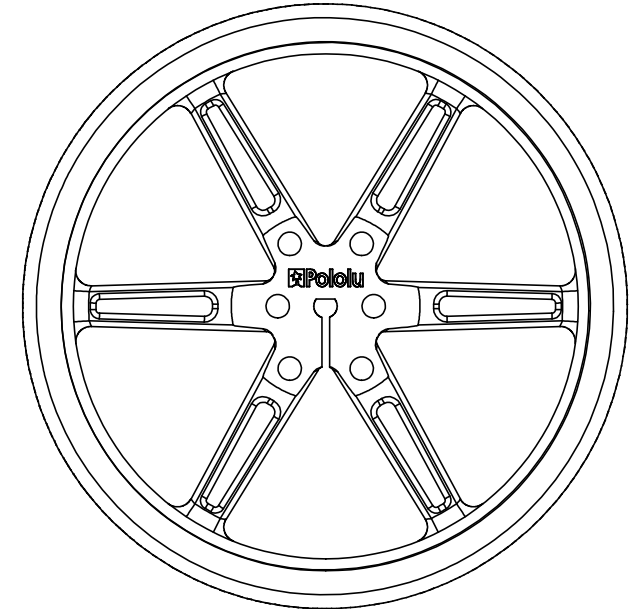
③ Front view without tire

Scale 3:4



④ Front view with tire

Scale 3:4



⑤ Front view with tire (actual size)

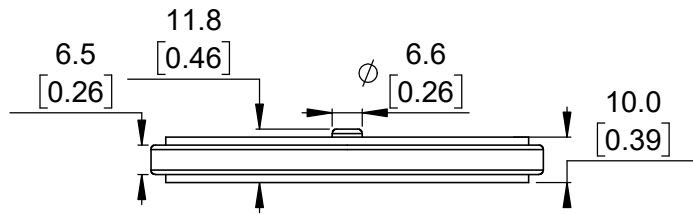
Scale 1:1

- ① Fits 3 mm D-shaft.
- ② Mounting slots fit #2 and M2 screws.
- ③ Intended for #4-40 and M3 screws.
- 4. To get the specified scale, select 100% in print settings.

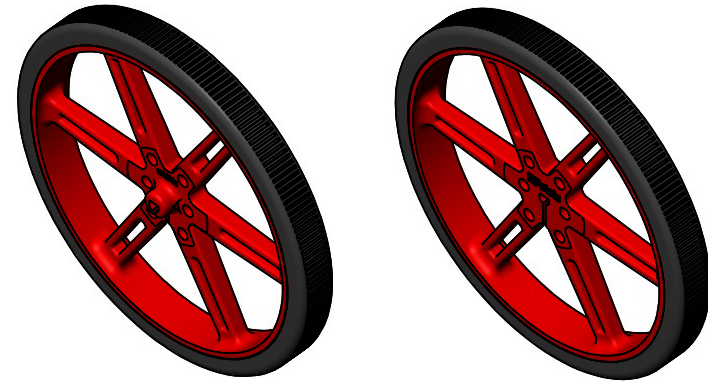
<https://www.pololu.com/product/1430>

Name: Pololu Wheel 80×10mm		Item number: 1430-1434	
Drawing date: 12 September 2019		Dev code: w3d05a	
Units: mm [in]	Material: ABS & silicone		

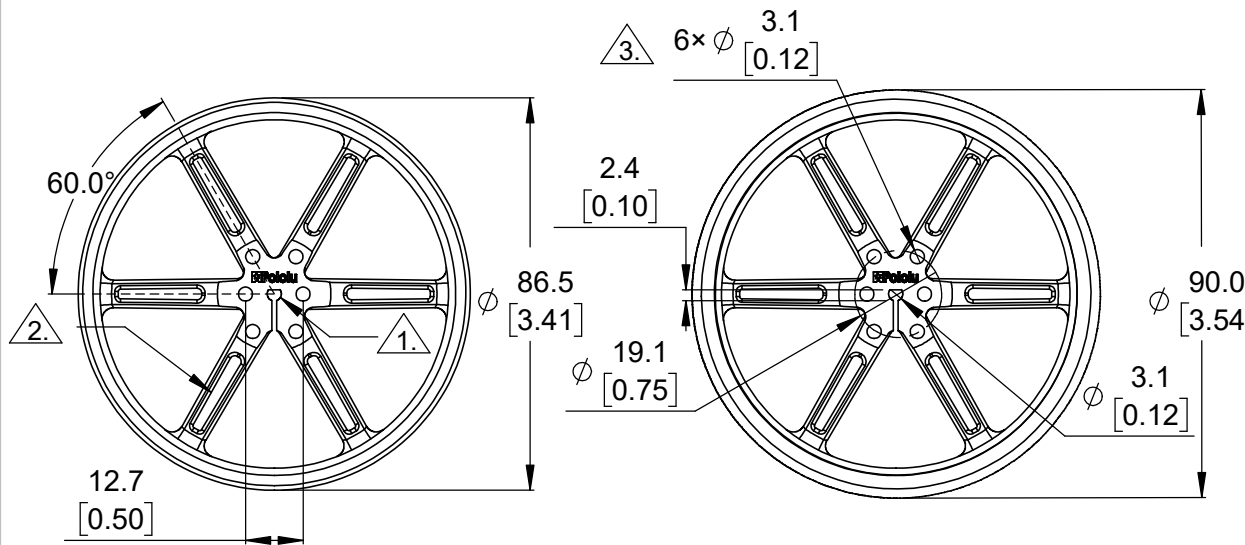




① Profile view without tire  
Scale 3:5

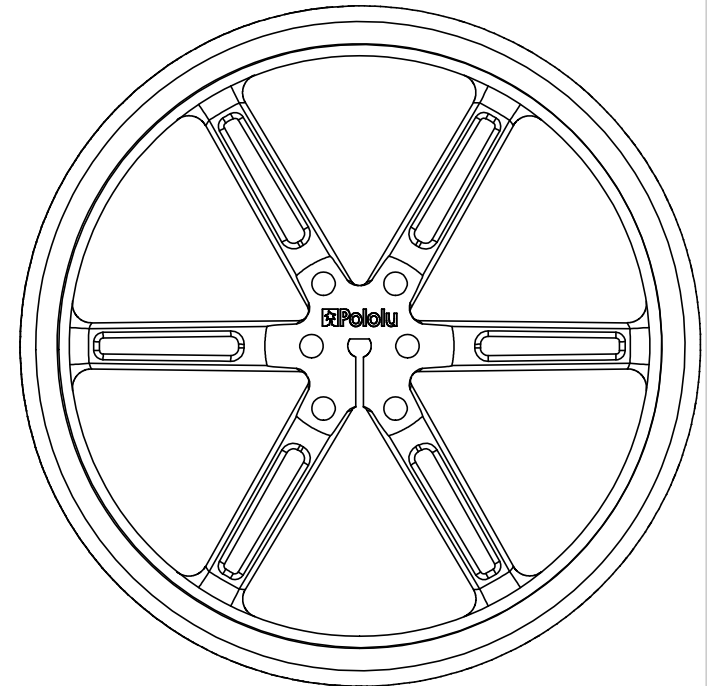


② Isometric view  
Scale 3:5



③ Front view without tire  
Scale 3:5


④ Front view with tire  
Scale 3:5



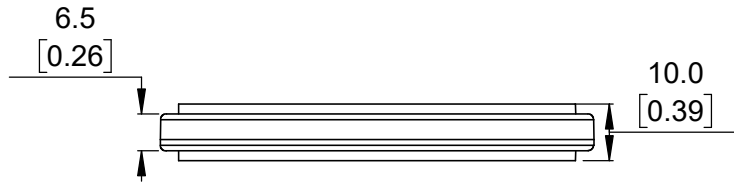
⑤ Front view with tire (actual size)  
Scale 1:1

- ① Fits 3 mm D-shaft.
- ② Mounting slots fit #2 and M2 screws.
- ③ Intended for #4-40 and M3 screws.
- 4. To get the specified scale, select 100% in print settings.

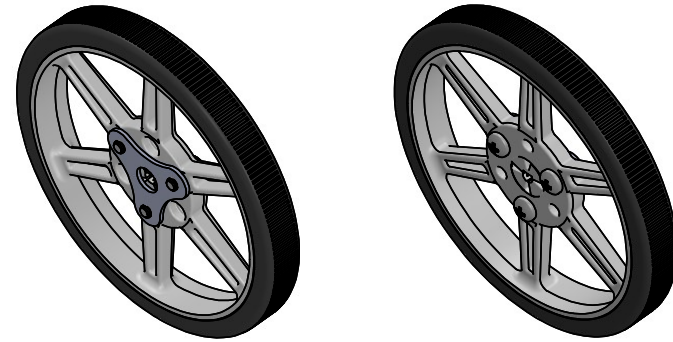
<https://www.pololu.com/product/1435>

Name: Pololu wheel 90x10mm		Item number: 1435-1439	
Drawing date: 12 September 2019	Dev code: w3d06a	 © 2019 Pololu Corporation	
Units: mm [in]	Material: ABS & silicone		

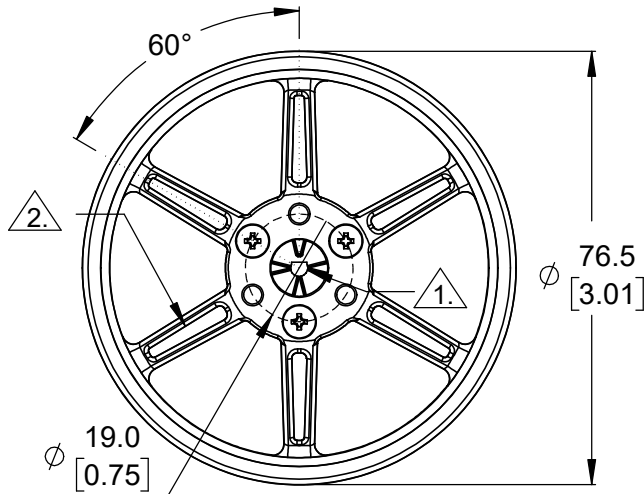




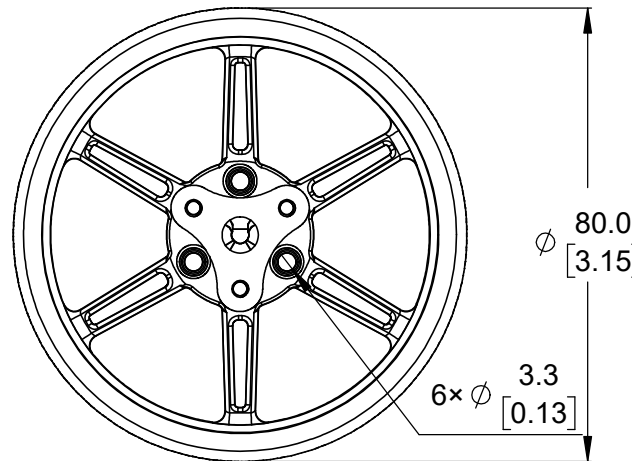
① Profile view without tire  
Scale 3:4



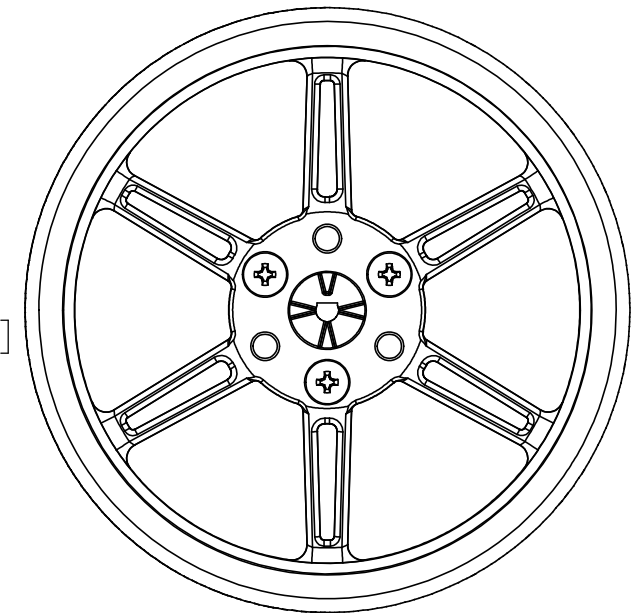
② Isometric view  
Scale 3:4



③ Front view without tire  
Scale 3:4




④ Back view with tire  
Scale 3:4

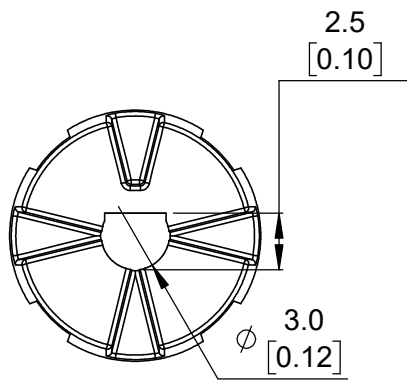


⑤ Front view with tire (actual size)  
Scale 1:1

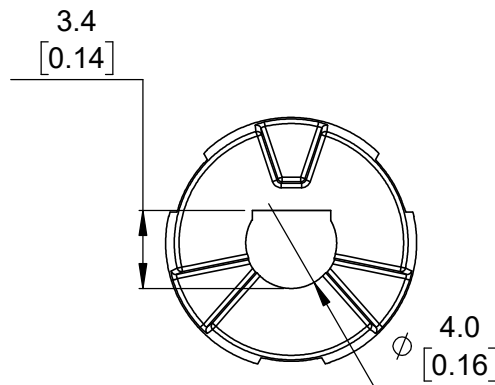
- ①. Use insert that matches shaft size (3mm round, 3mm D-shaft, 4mm round or 4mm D-shaft).
- ②. Mounting slots fit #2 and M2 screws.
- 3. To get the specified scale, select 100% in print settings.

<https://www.pololu.com/product/3690>

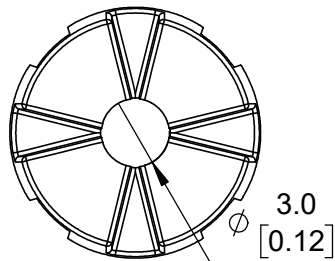
Name: Pololu-Multi-Hub Wheel with Inserts for 3mm and 4mm Shafts - 80×10mm		Item number: 3690, 3691
Drawing date: 12 September 2019	Dev code: whe01a	 <b>Pololu</b> Robotics & Electronics © 2019 Pololu Corporation
Units: mm [in]	Material: ABS, silicone, & steel	



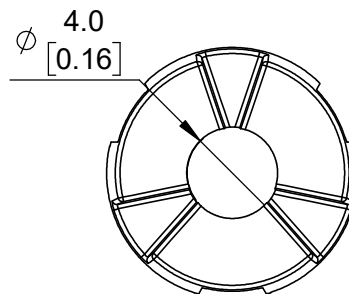
① 3mm D-Shaft insert  
Scale 3:1



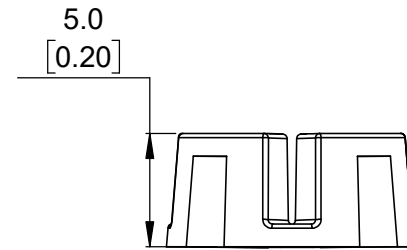
② 4mm D-shaft insert  
Scale 3:1



③ 3mm round shaft insert  
Scale 3:1




④ 4mm round shaft insert  
Scale 3:1



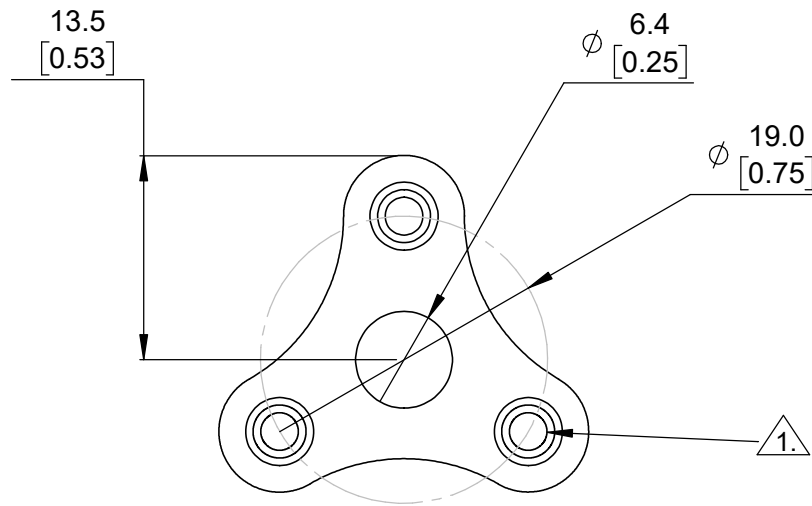
⑤ Profile view  
Scale 3:1

1. To get the specified scale, select 100% in print settings.

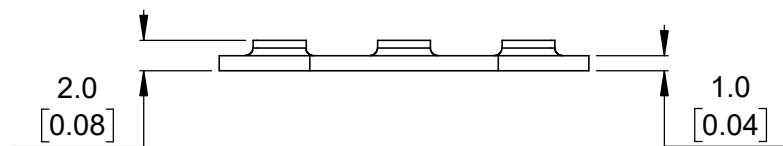
<https://www.pololu.com/product/3690>

Name: Collet Inserts for Pololu Multi-Hub Wheel		Item number: 3690, 3691
Drawing date: 12 September 2019	Dev code: whe02a, b, c, d	 © 2019 Pololu Corporation
Units: mm [in]	Material: ABS plastic	






① Front view  
Scale: 2:1



② Profile view  
Scale: 2:1

<https://www.pololu.com/product/3690>

Name: Collet Plate for Pololu Multi-Hub Wheel		Item number: 3690, 3691
Drawing date: 12 September 2019	Dev code: whe03a	 <b>Pololu</b> Robotics & Electronics © 2019 Pololu Corporation
Units: mm [in]	Material: galvanized steel	

①.  
2.

Metal plate tapped for M3 screws.  
To get the specified scale, select 100% in print settings.