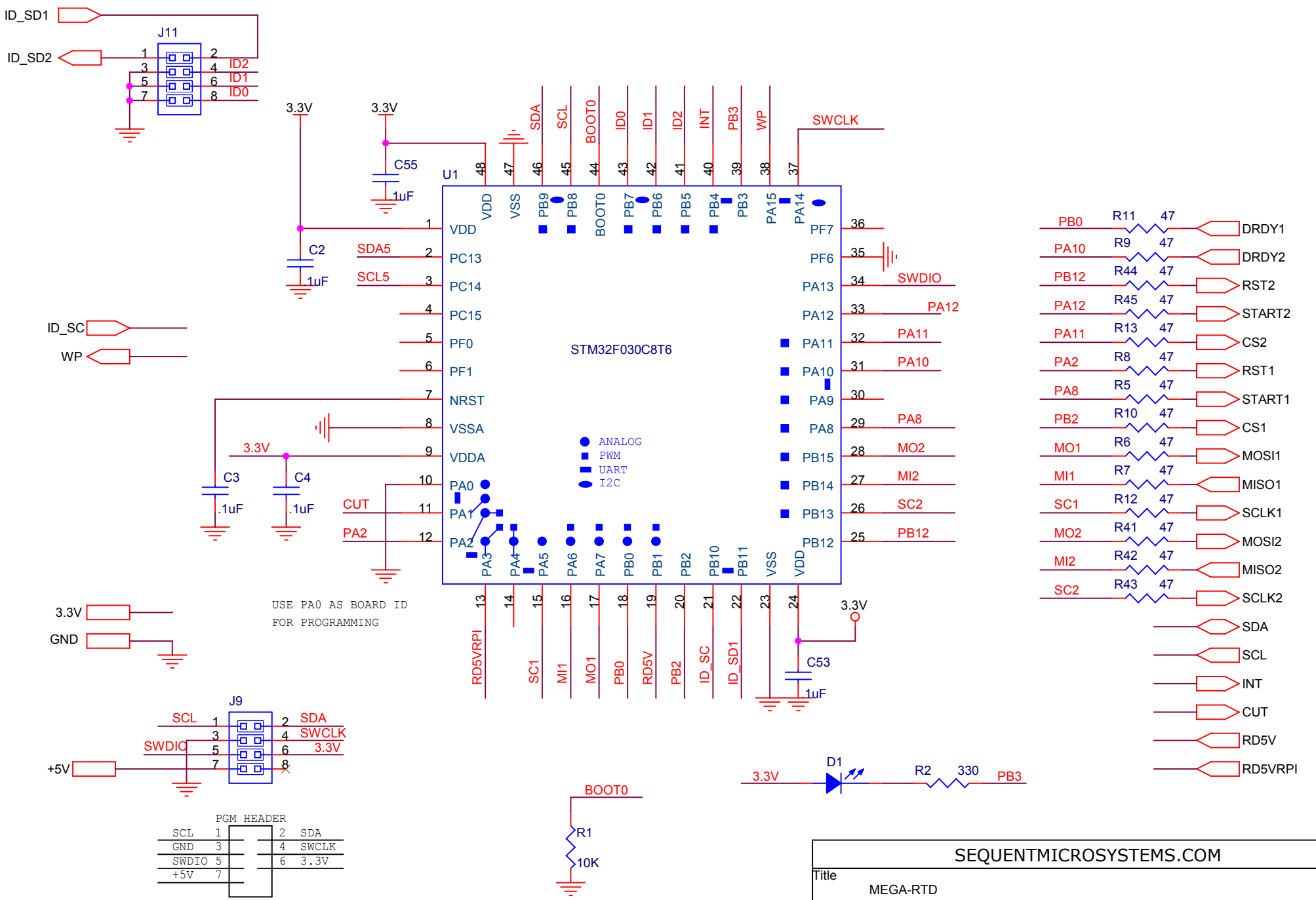


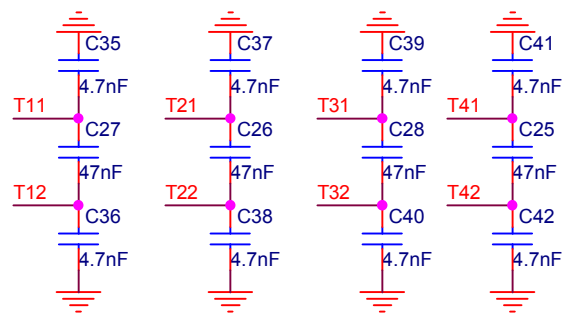
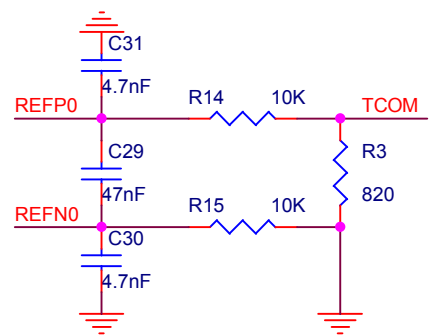
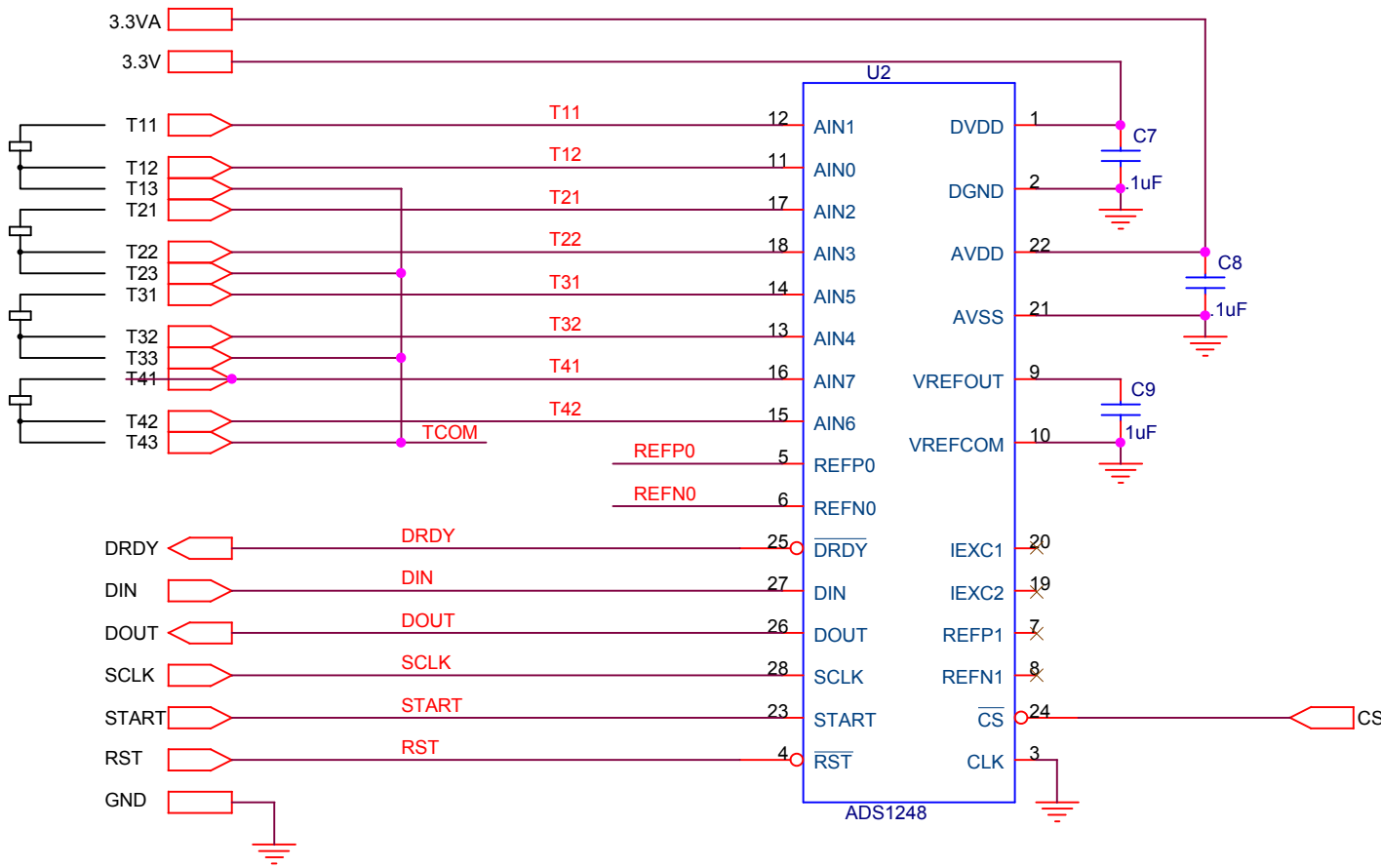
SEQUENTMICROSYSTEMS.COM		
Title MEGA-RTD		
Size A	Document Number Block Diagram	Rev 4.0
Date:	Saturday, June 27, 2020	Sheet 1 of 6



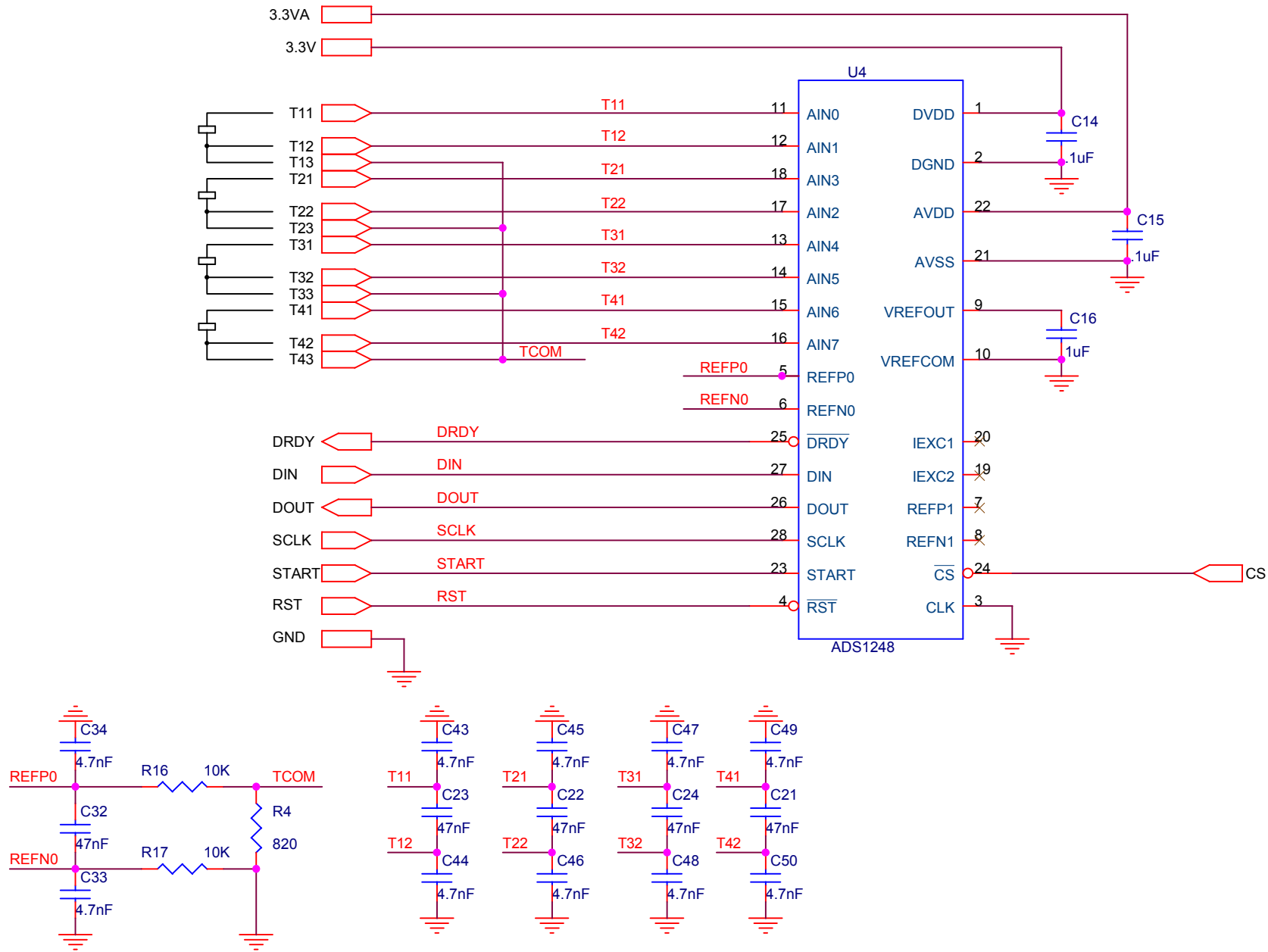
USE PA0 AS BOARD ID FOR PROGRAMMING

PGM HEADER			
SCL	1	2	SDA
GND	3	4	SWCLK
SWDIO	5	6	3.3V
+5V	7		

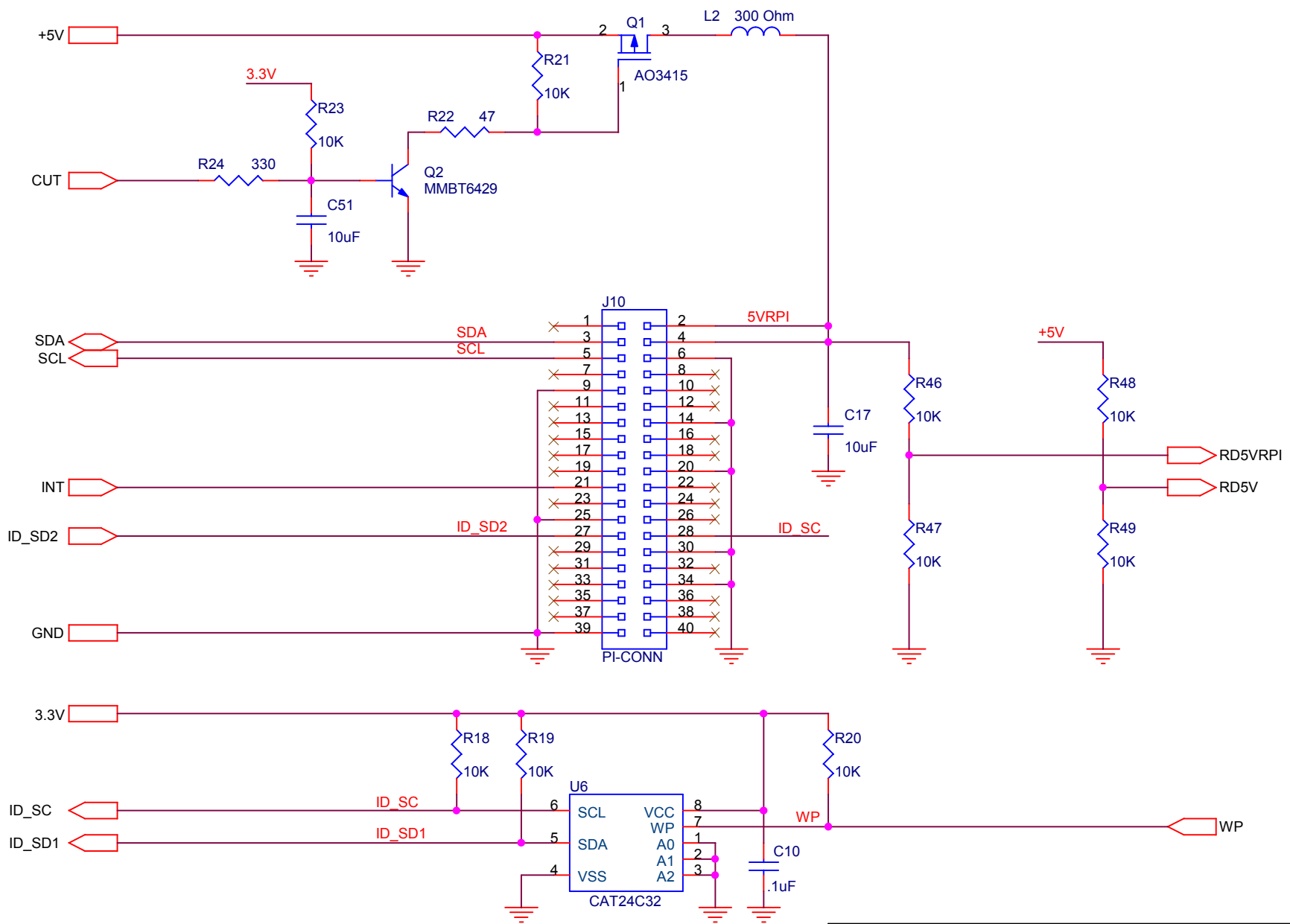
SEQUENTMICROSYSTEMS.COM		
Title		
MEGA-RTD		
Size	Document Number	Rev
A	Processor	4.0
Date:	Saturday, June 27, 2020	Sheet 2 of 6



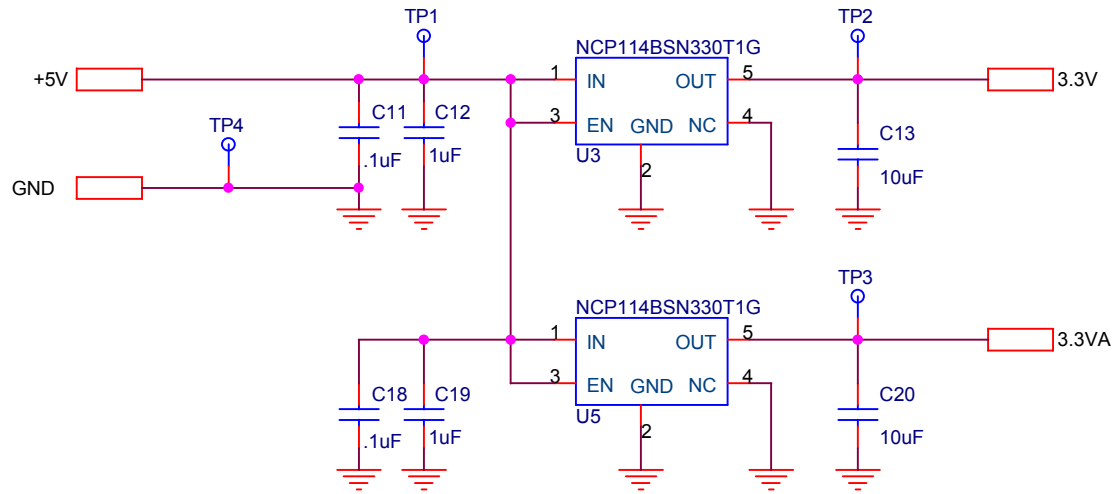
SEQUENTMICROSYSTEMS.COM		
Title		
MEGA-RTD		
Size	Document Number	Rev
A	RTD1-4	4.0
Date:	Saturday, June 27, 2020	Sheet 3 of 6



SEQUENTMICROSYSTEMS.COM		
Title		
MEGA-RTD		
Size	Document Number	Rev
A	RTD5-8	4.0
Date:	Saturday, June 27, 2020	Sheet 4 of 6



SEQUENTMICROSYSTEMS.COM		
Title		
Abeyancecryo Controller		
Size	Document Number	Rev
A	RPI CONNECTOR	4.0
Date:	Saturday, June 27, 2020	Sheet 5 of 6



SEQUENTMICROSYSTEMS.COM		
Title		
Abeyancecryo Controller		
Size	Document Number	Rev
A	POWER SUPPLY	4.0
Date:	Saturday, June 27, 2020	Sheet 6 of 6