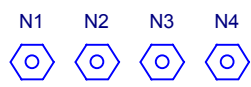


CONNECTOR PLUGS



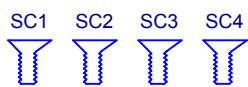
18mm STANDOFFS



2.5mm NUTS



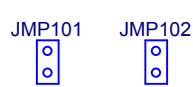
ANTISTATIC BAG
10cm X 15cm



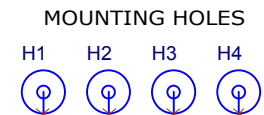
M2.5x5mm SCREWS



PLASTIC BAG
5cm X 10cm



ID Jumpers



MOUNTING HOLES

SEQUENTMICROSYSTEMS.COM		
Title 8-MOSFETS		
Size A	Document Number BLOCK DIAGRAM	Rev 2.0
Date:	Monday, August 10, 2020	Sheet 1 of 7

CHANGES V1.1

- * Move Connectors J4, J5 to 472 mils spacing
- * Move Connectors J8 - J11 to 475 mils spacing
- * Reload H1-H4 holes from library, had wrong hole
- * Clear 105 mils around mounting holes

CHANGES V2.0

- * Replace High Voltage Mosfets with MDD14N25CRH
- * 250V/1A specification.
- * Previous Mosfet was too expensive.

SEQUENTMICROSYSTEMS.COM

Title

8-MOSFETS

Size

A

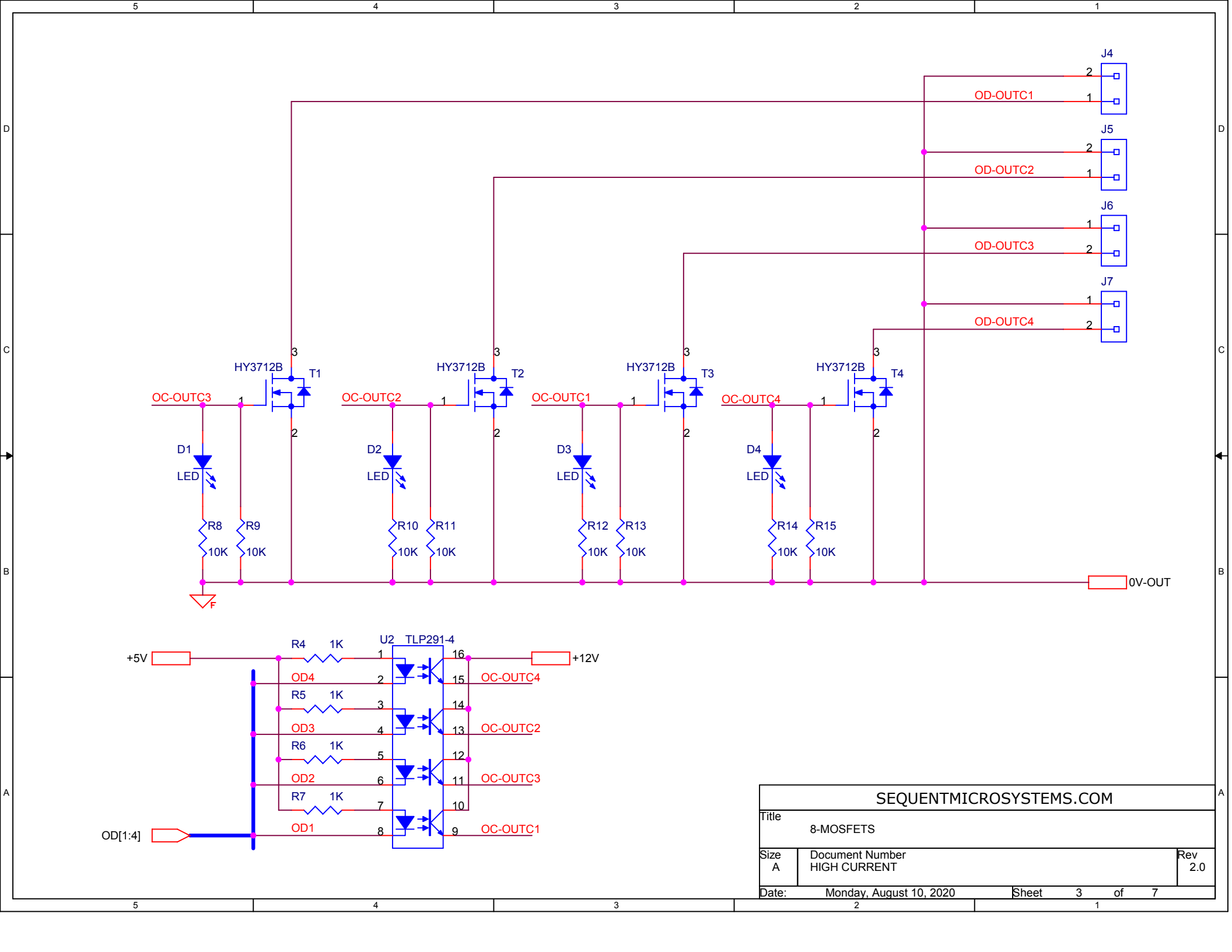
Document Number
CHANGE HISTORY

Rev

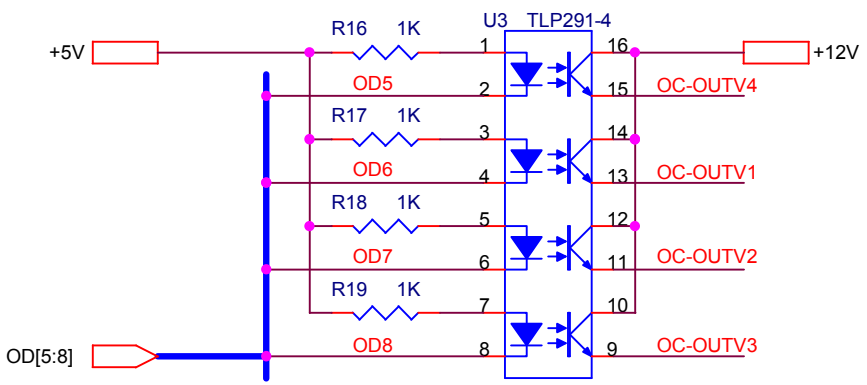
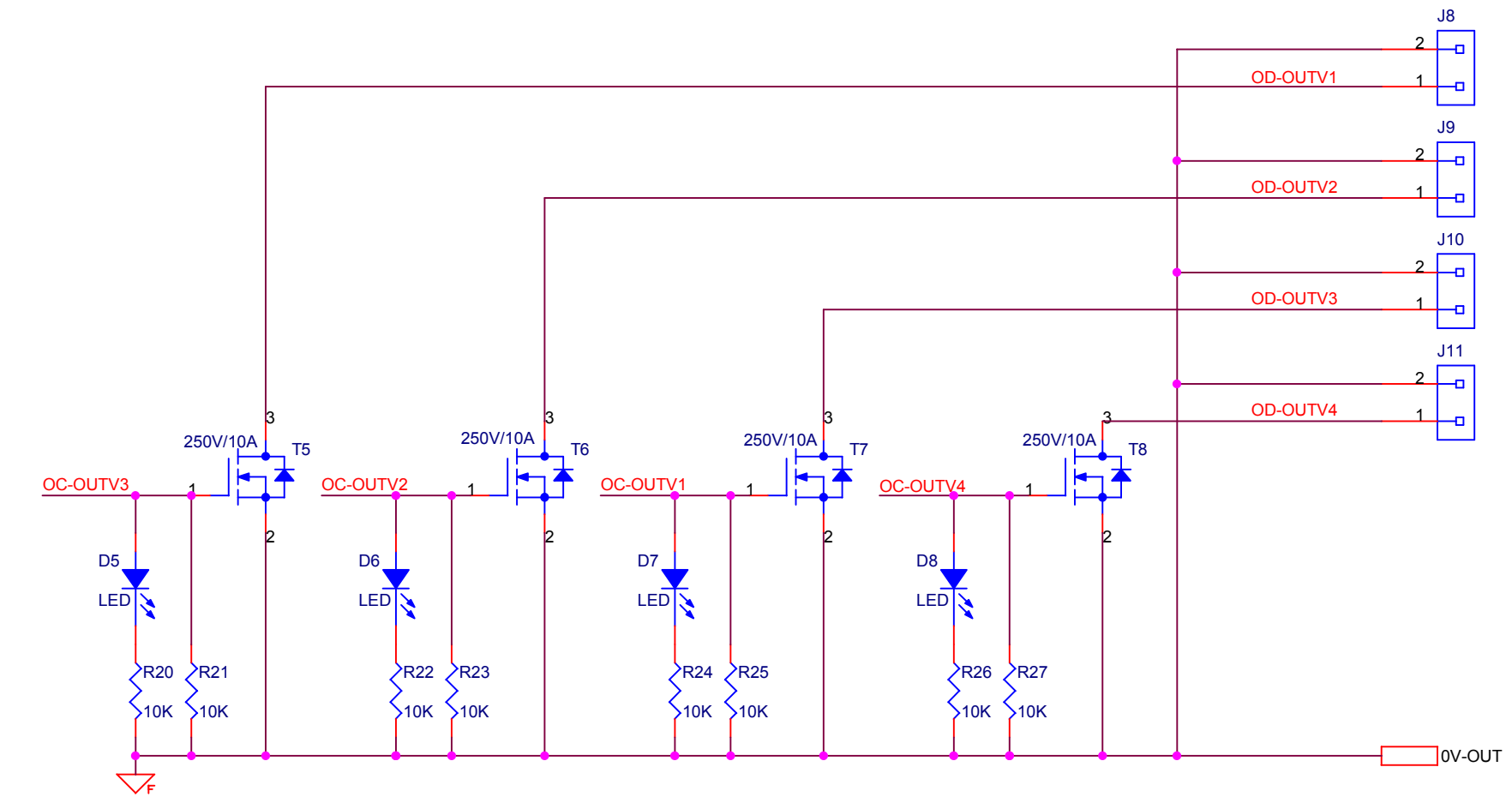
1.1

Date: Monday, August 10, 2020

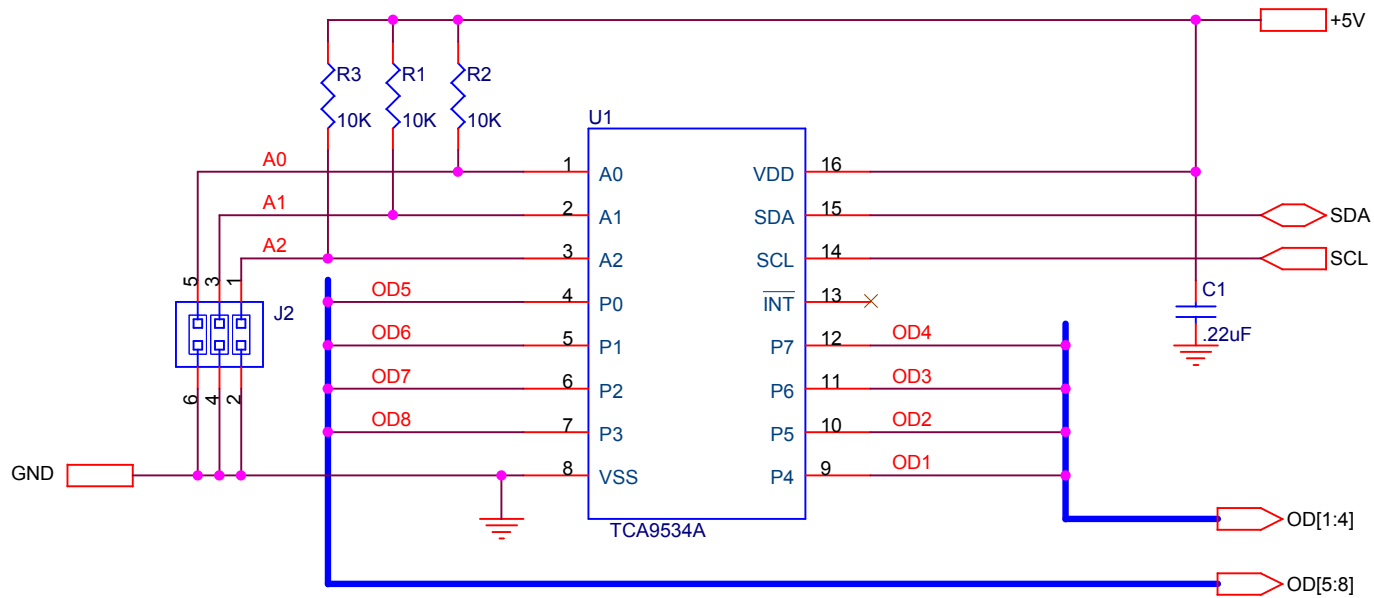
Sheet 2 of 7



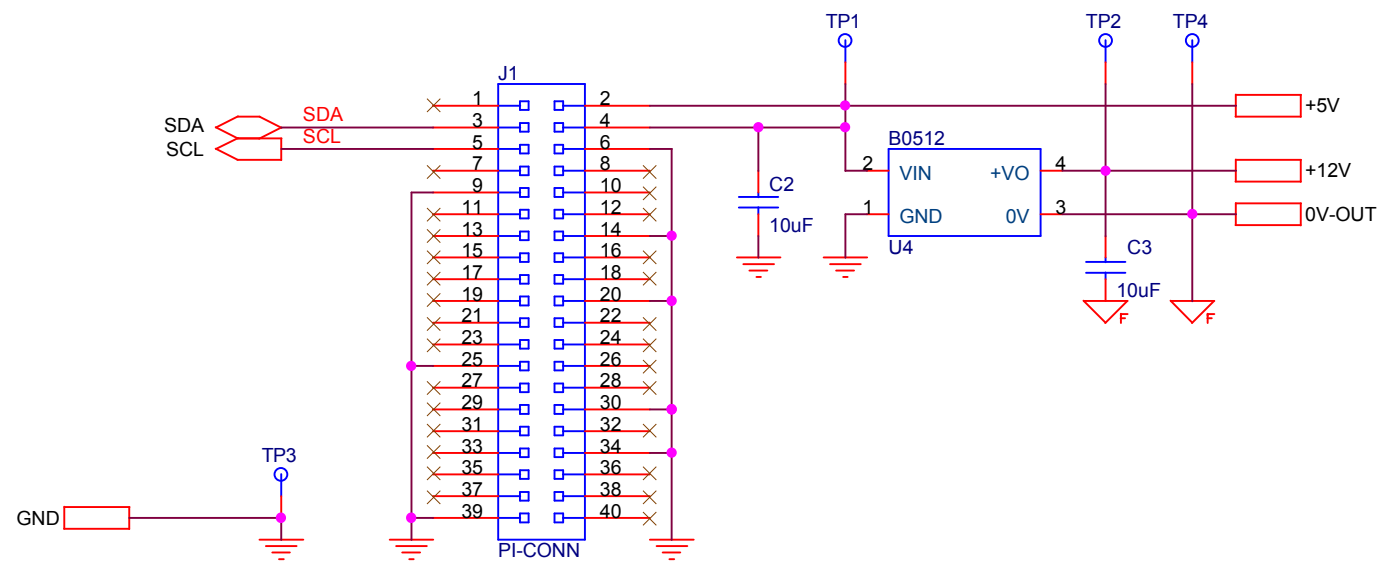
SEQUENTMICROSYSTEMS.COM		
Title		
8-MOSFETS		
Size	Document Number	Rev
A	HIGH CURRENT	2.0
Date:	Monday, August 10, 2020	Sheet 3 of 7



SEQUENTMICROSYSTEMS.COM		
Title		
8-MOSFETS		
Size	Document Number	Rev
A	HIGH VOLTAGE	2.0
Date:	Monday, August 10, 2020	Sheet 4 of 7
	2	1

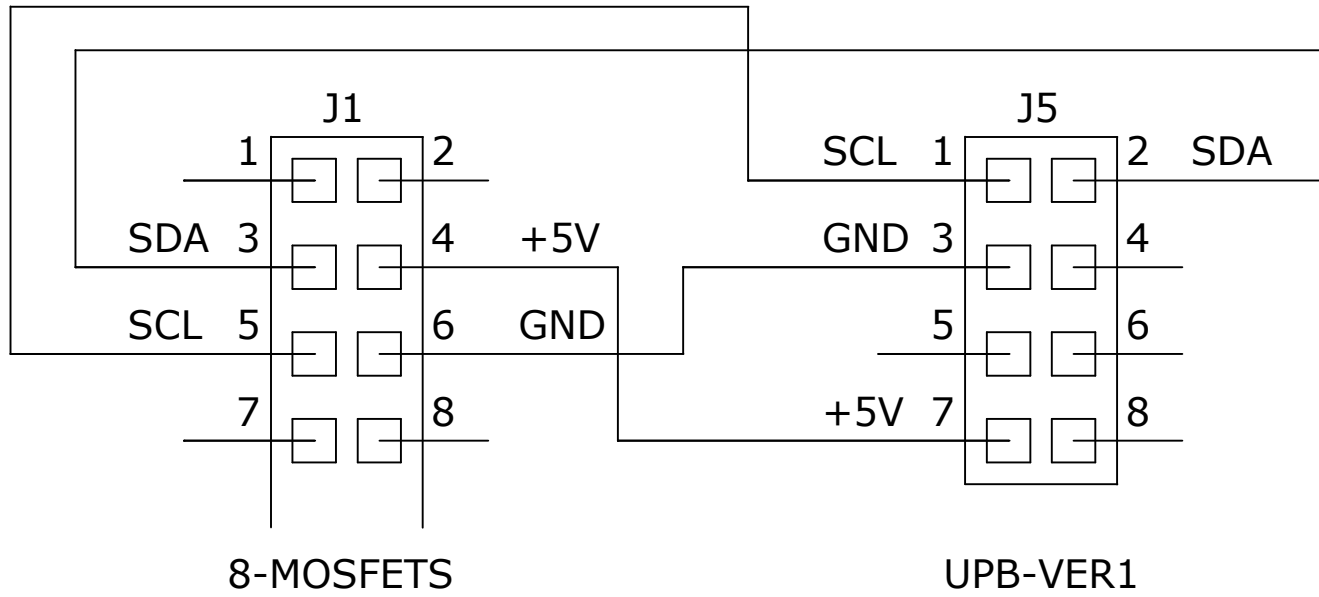


SEQUENTMICROSYSTEMS.COM		
Title		
8-MOSFETS		
Size	Document Number	Rev
A	IO EXPANDER	2.0
Date:	Monday, August 10, 2020	Sheet 5 of 7



SEQUENTMICROSYSTEMS.COM

Title		
8-MOSFETS		
Size	Document Number	Rev
A	RPI Connector	2.0
Date:	Monday, August 10, 2020	Sheet 6 of 7



SEQUENTMICROSYSTEMS.COM

Title

8-MOSFETS

Size
A

Document Number
TEST CABLE TO UPB-VER1

Rev
2.0

Date: Monday, August 10, 2020

Sheet 7 of 7