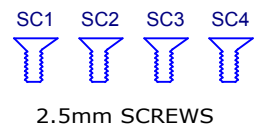
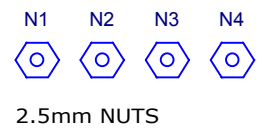
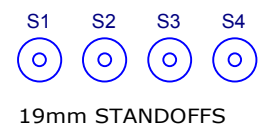
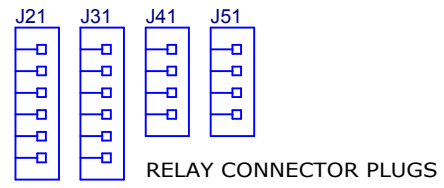
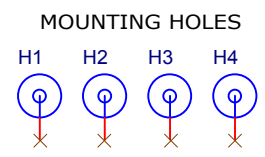
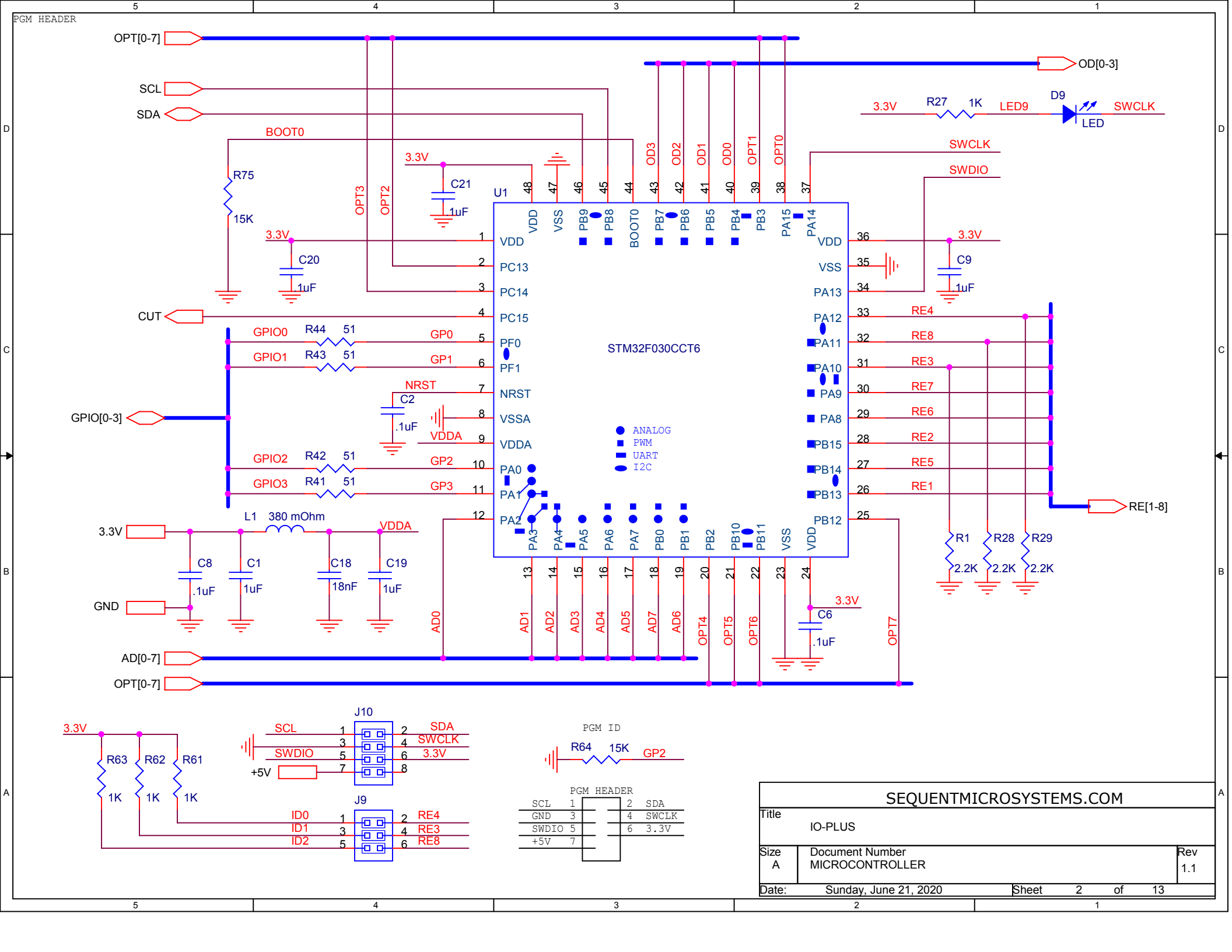


EIGHT ANALOG INPUTS
 EIGHT DIGITAL ISOLATED INPUTS
 EIGHT RELAYS
 FOUR DAC OUTPUTS or
 FOUR OPEN DRAIN OUTPUTS



SEQUENTMICROSYSTEMS.COM		
Title: IO-PLUS		
Size: A	Document Number: BLOCK DIAGRAM	Rev: 1.1
Date: Sunday, June 21, 2020	Sheet 1 of 13	



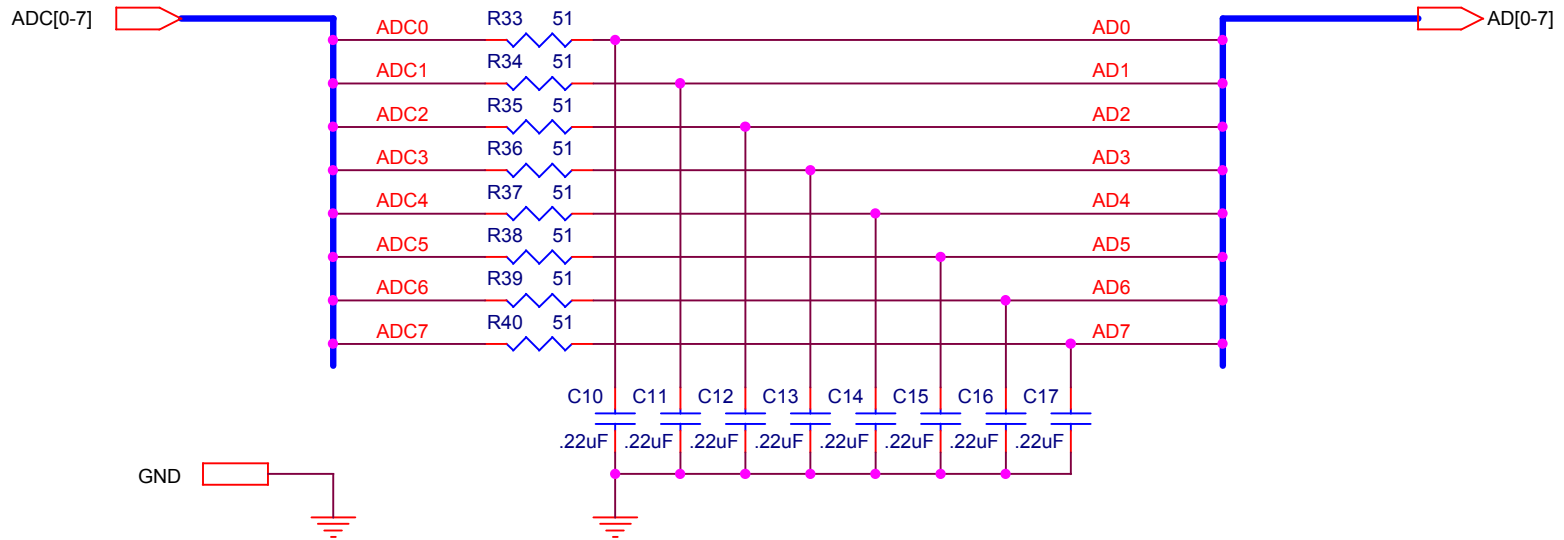
PGM ID

SCL	1	2	SDA
GND	3	4	SWCLK
SWDIO	5	6	3.3V
+5V	7		

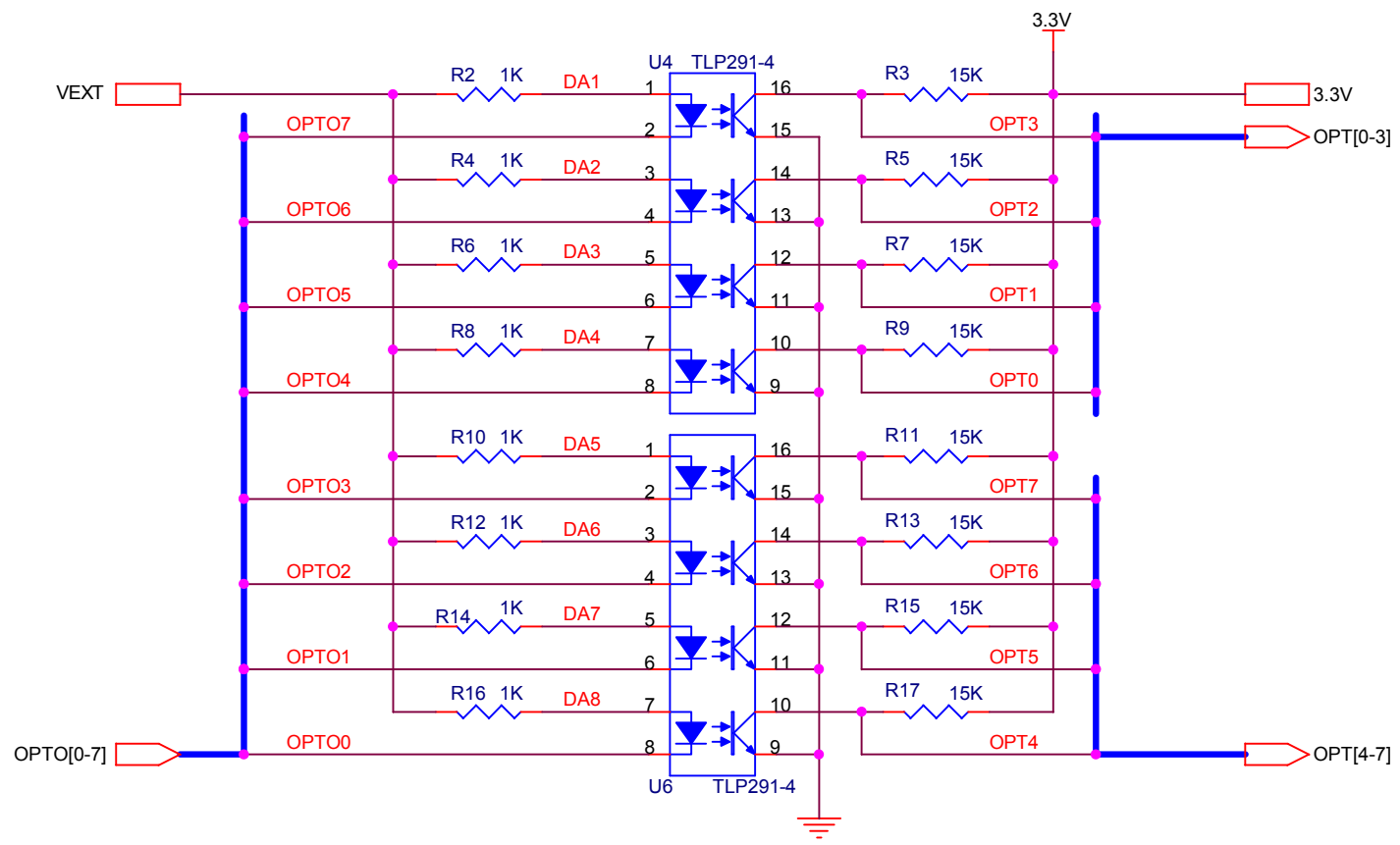
PGM HEADER

SCL	1	2	SDA
GND	3	4	SWCLK
SWDIO	5	6	3.3V
+5V	7		

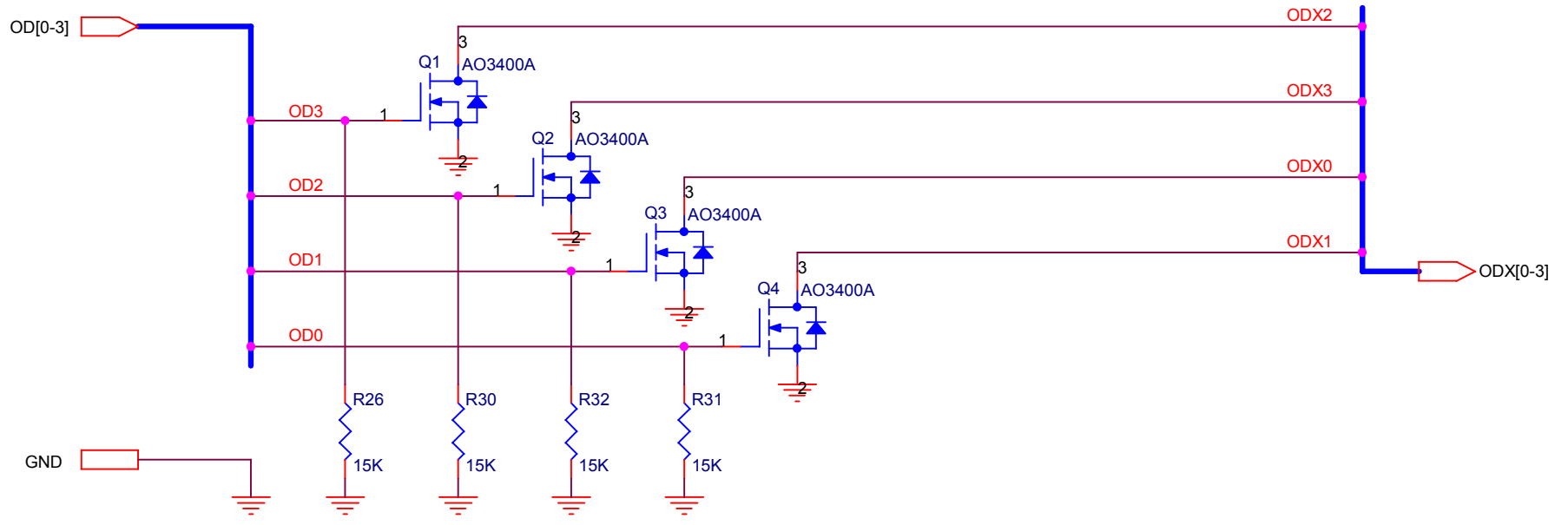
SEQUENTMICROSYSTEMS.COM		
Title		
IO-PLUS		
Size	Document Number	Rev
A	MICROCONTROLLER	1.1
Date:	Sunday, June 21, 2020	Sheet 2 of 13



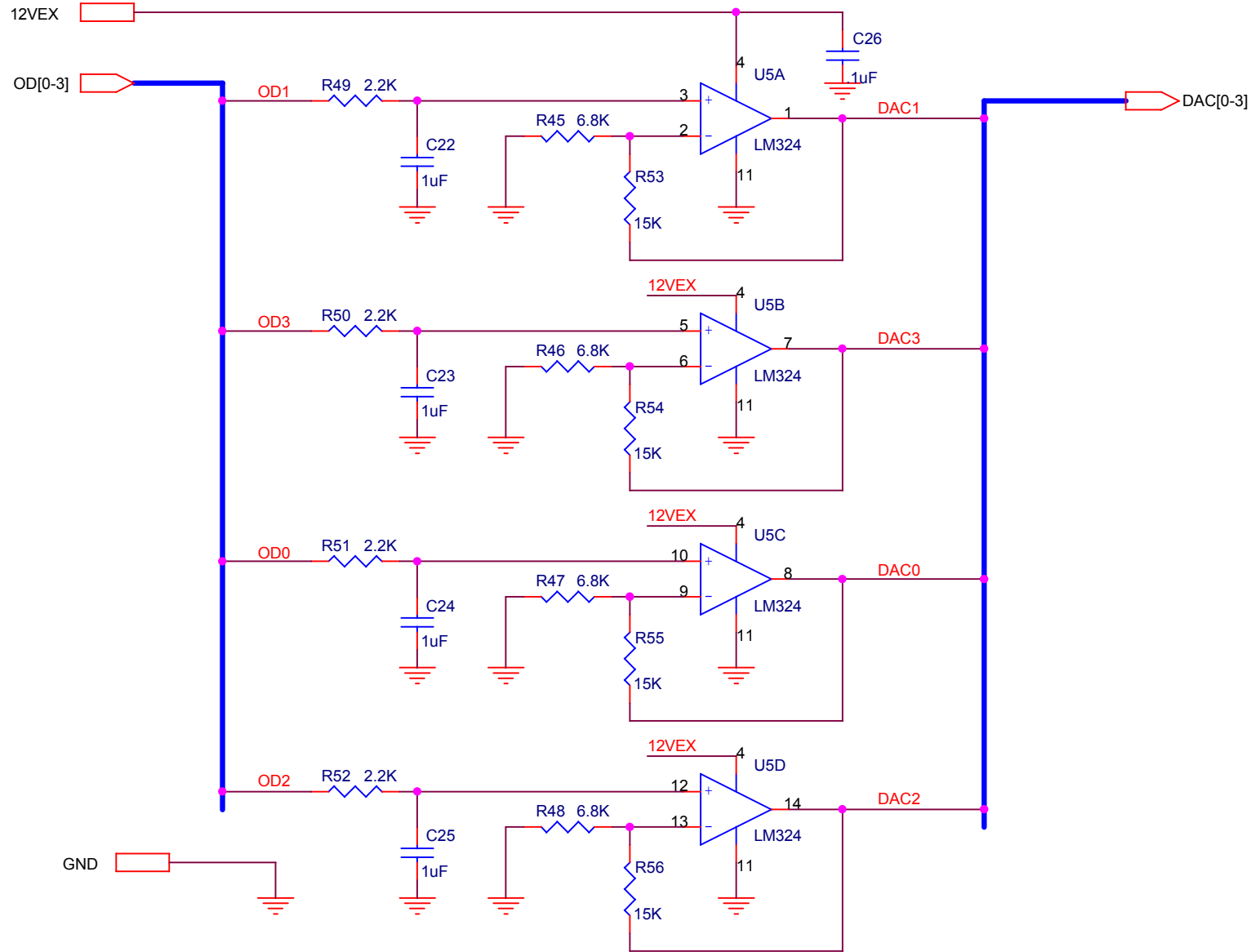
SEQUENTMICROSYSTEMS.COM		
Title		
IO-PLUS		
Size	Document Number	Rev
A	ADC INPUTS	1.1
Date:	Sunday, June 21, 2020	Sheet 3 of 13



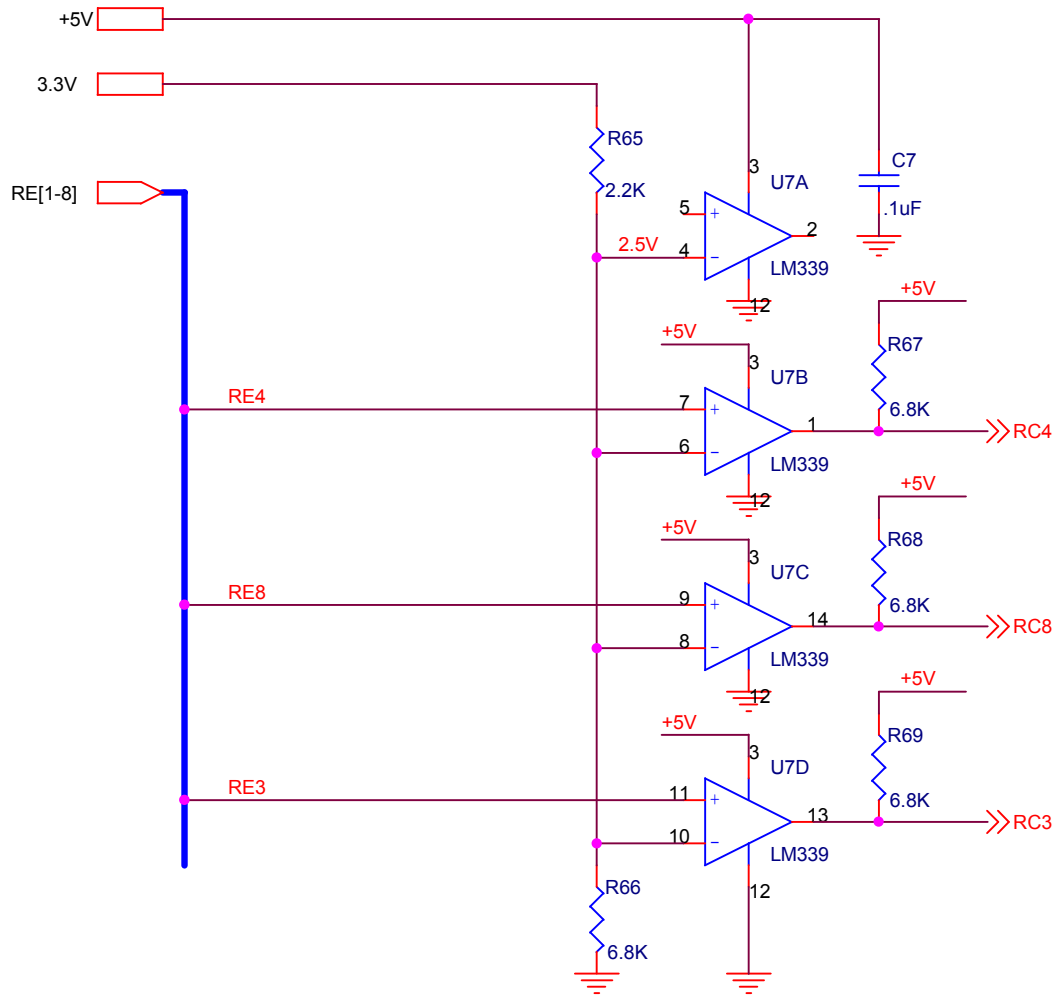
SEQUENTMICROSYSTEMS.COM		
Title		
IO-PLUS		
Size	Document Number	Rev
A	OPTO-INPUTS	1.1
Date:	Sunday, June 21, 2020	Sheet 4 of 13



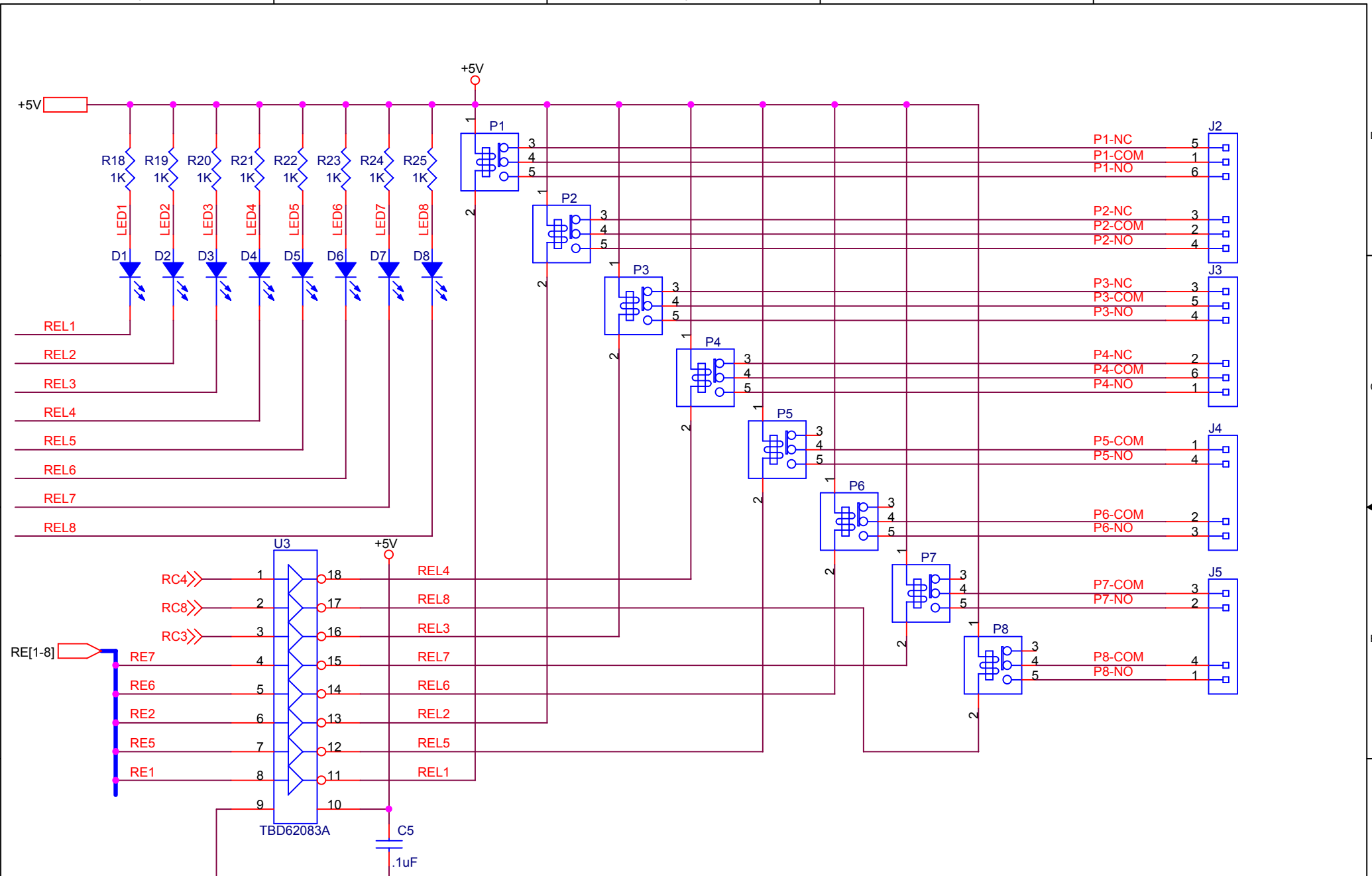
SEQUENTMICROSYSTEMS.COM		
Title		
IO-PLUS		
Size	Document Number	Rev
A	OD OUTPUTS	1.1
Date:	Sunday, June 21, 2020	Sheet 5 of 13



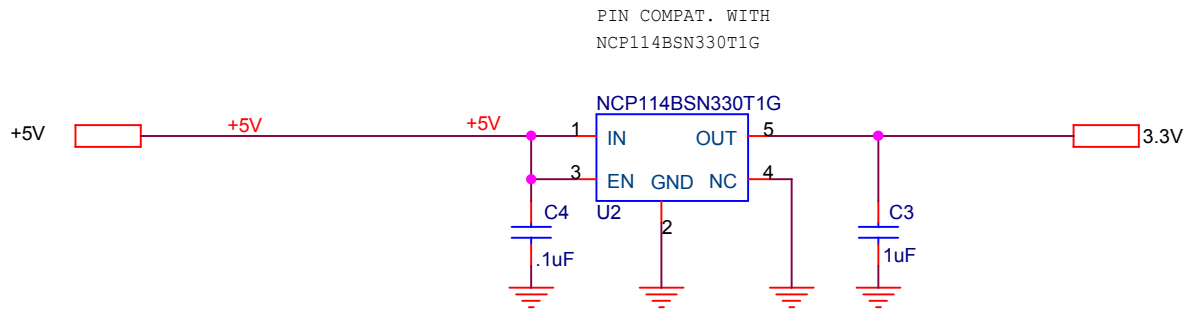
SEQUENTMICROSYSTEMS.COM		
Title		
IO-PLUS		
Size	Document Number	Rev
A	DAC OUTPUTS	1.1
Date:	Sunday, June 21, 2020	Sheet 6 of 13



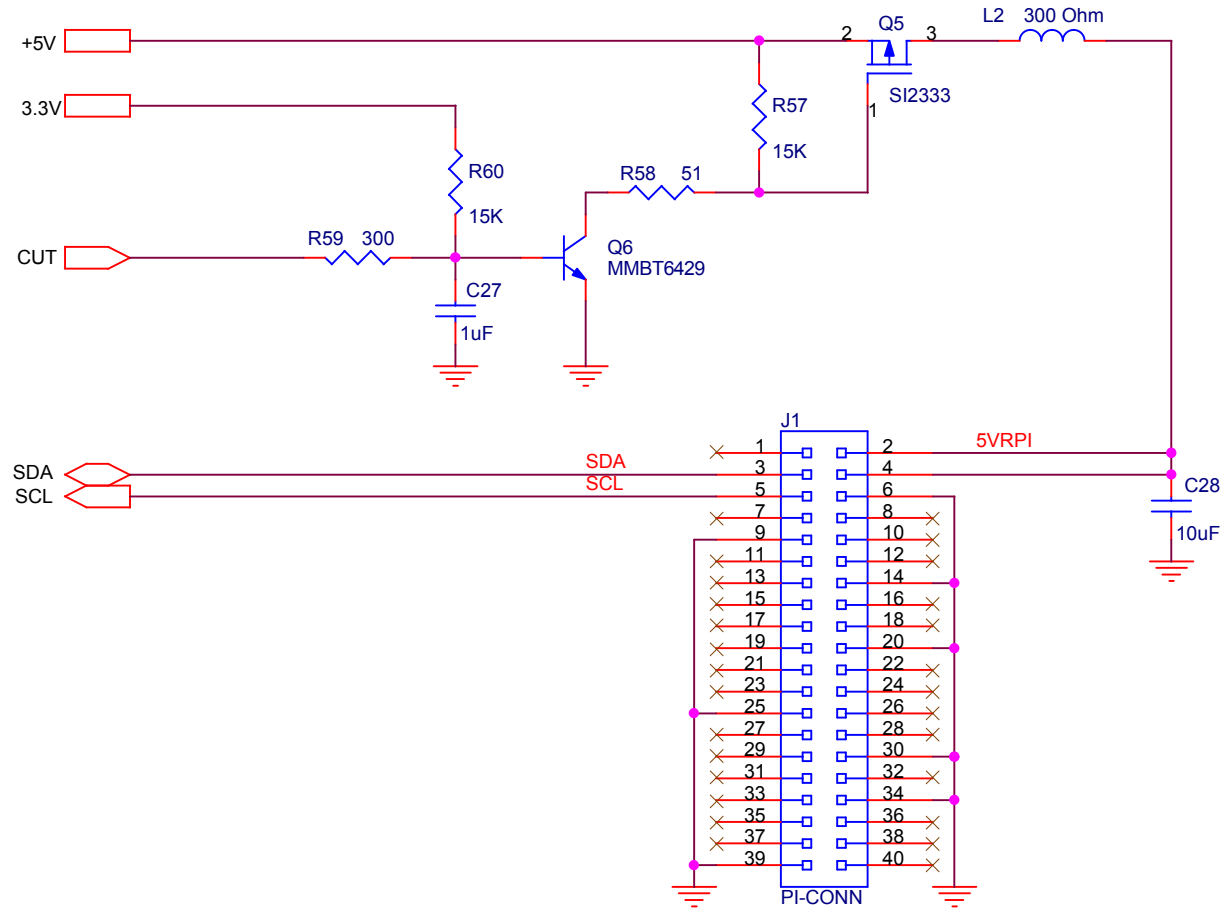
SEQUENTMICROSYSTEMS.COM		
Title		
IO-PLUS		
Size	Document Number	Rev
A	ID-MUX	1.1
Date:	Sunday, June 21, 2020	Sheet 7 of 13



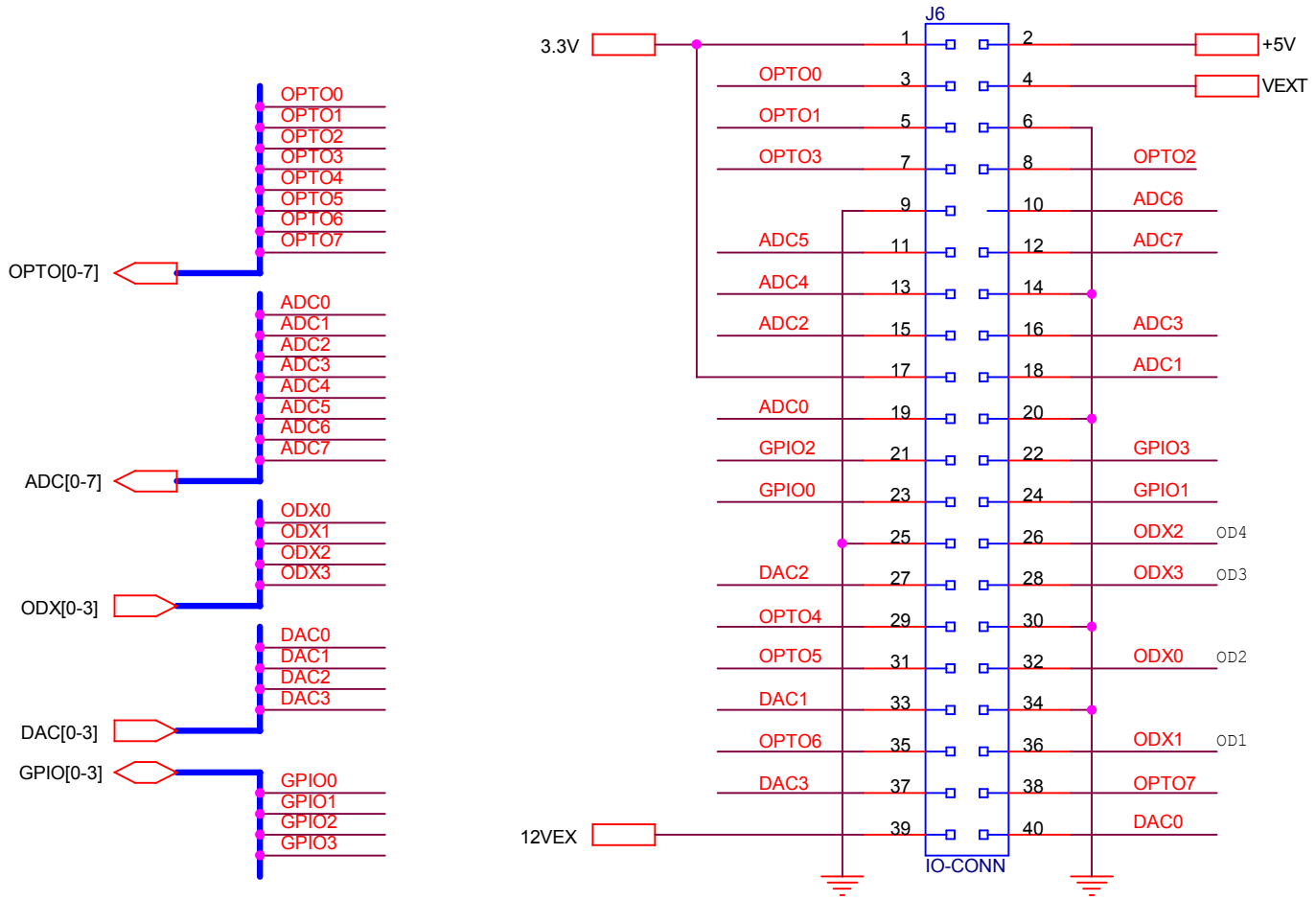
SEQUENTMICROSYSTEMS.COM		
Title		
IO-PLUS		
Size	Document Number	Rev
A	RELAYS	1.1
Date:	Sunday, June 21, 2020	Sheet 8 of 13



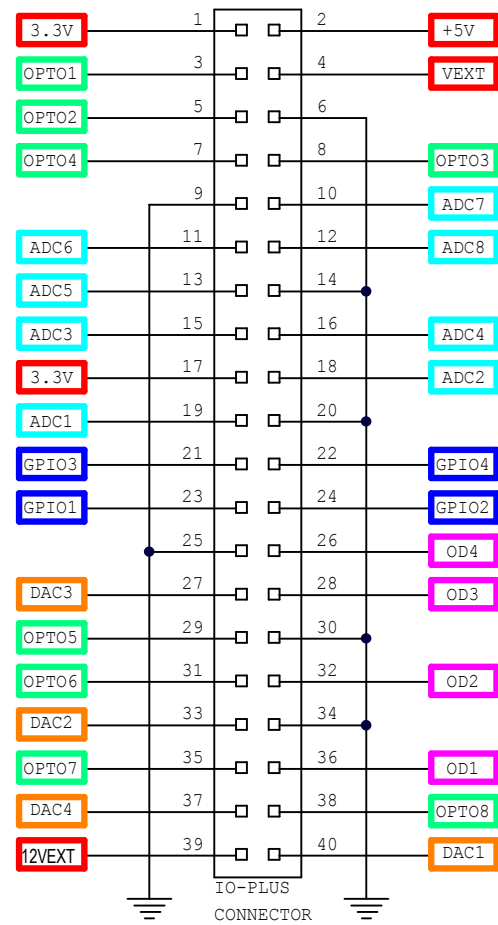
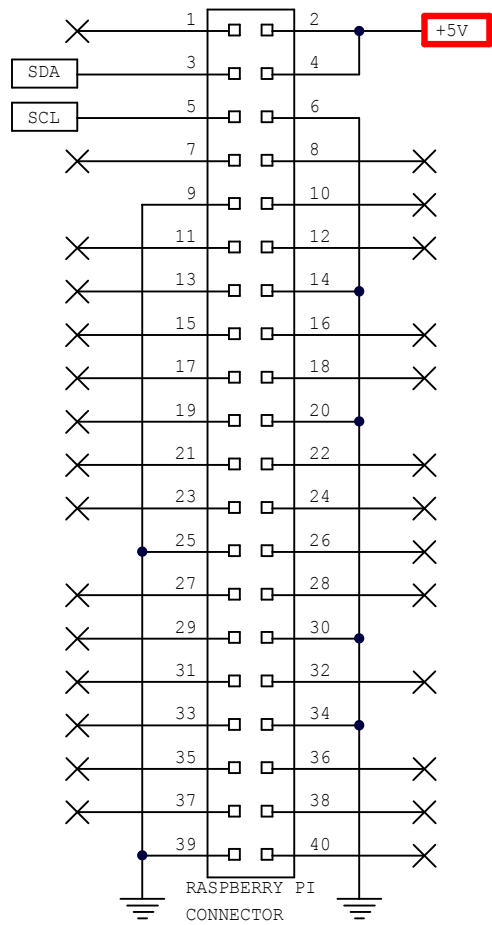
SEQUENTMICROSYSTEMS.COM		
Title		
IO-PLUS		
Size	Document Number	Rev
A	POWER SUPPLY	1.1
Date:	Sunday, June 21, 2020	Sheet 9 of 13



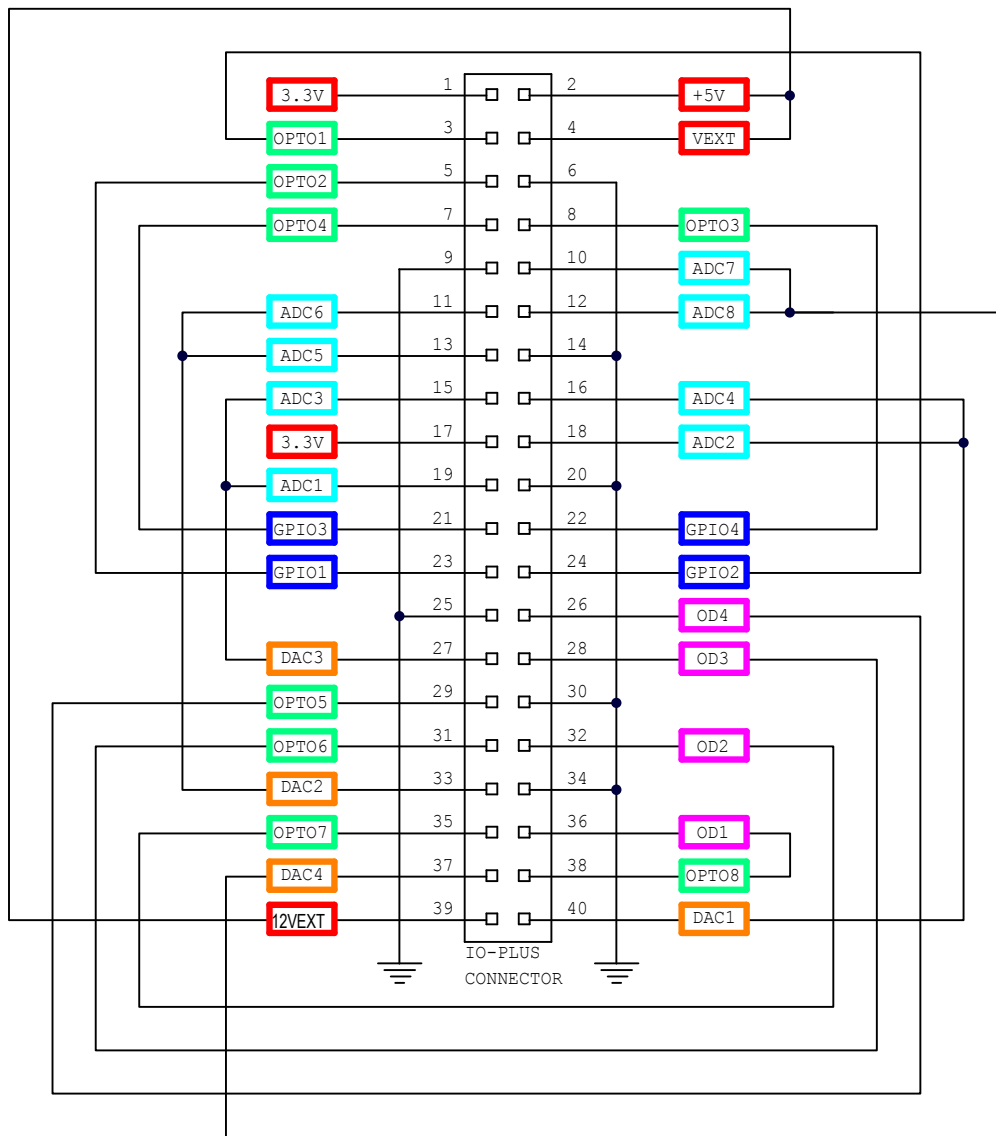
SEQUENTMICROSYSTEMS.COM		
Title		
IO-PLUS		
Size	Document Number	Rev
A	RPI Connector	1.1
Date:	Sunday, June 21, 2020	Sheet 10 of 13



SEQUENTMICROSYSTEMS.COM		
Title		
IO-PLUS		
Size	Document Number	Rev
A	IO CONNECTOR	1.1
Date:	Sunday, June 21, 2020	Sheet 11 of 13



SEQUENTMICROSYSTEMS.COM		
Title IO-PLUS		
Size A	Document Number CONNECTORS	Rev 1.1
Date:	Sunday, June 21, 2020	Sheet 12 of 13



SEQUENTMICROSYSTEMS.COM		
Title IO-PLUS		
Size A	Document Number LOOPBACK CARD	Rev 1.1
Date:	Sunday, June 21, 2020	Sheet 13 of 13