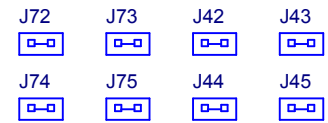
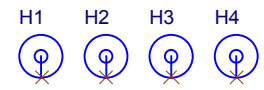


8 UNIVERSAL INPUTS    4 DIGITAL OUTPUTS    4 ANALOG OUTPUTS  
 \* 0-10V                    \* TRIAC TBD                    \* 0-10V  
 \* 1K/10K THERMISTOR  
 \* DRY CONTACT

**Input Select Jumpers**



**MOUNTING HOLES**



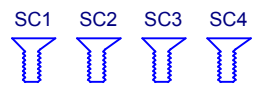
18mm STANDOFFS



2.5mm NUTS



ANTISTATIC BAG  
10cm X 15cm



M2.5x5mm SCREWS

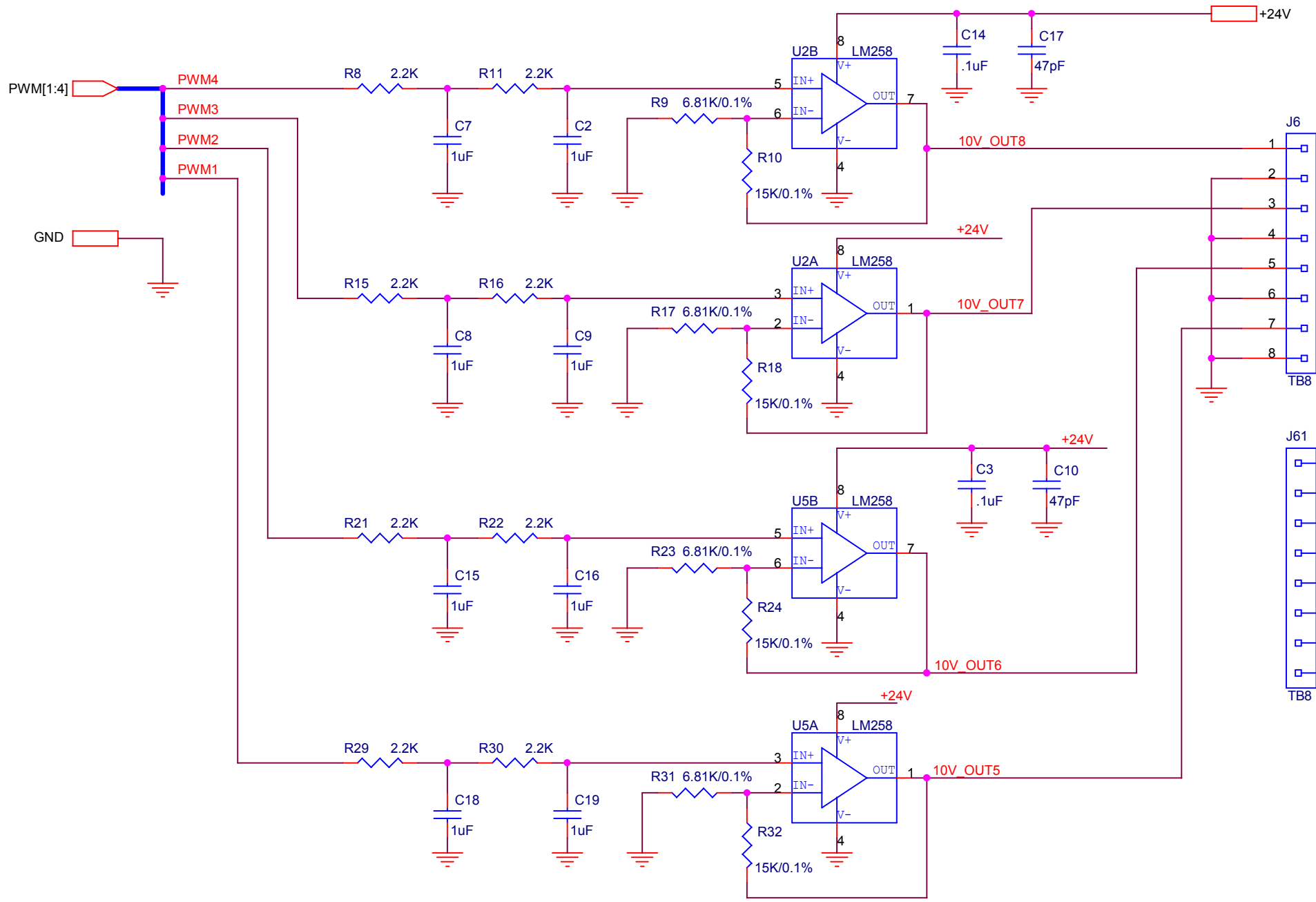


PLASTIC BAG  
5cm X 10cm

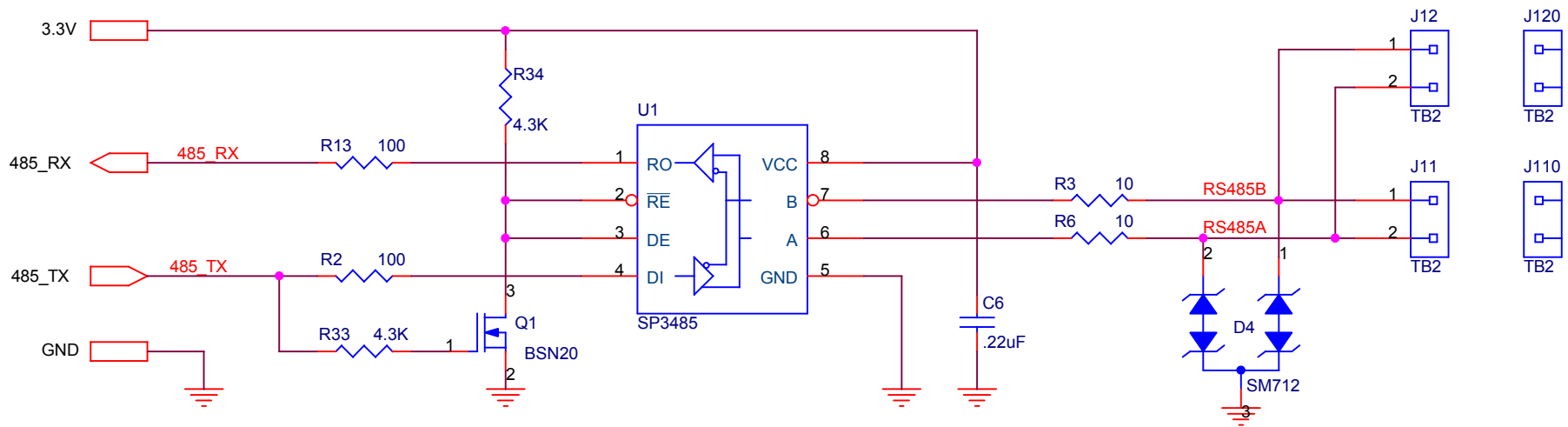


ID Jumpers

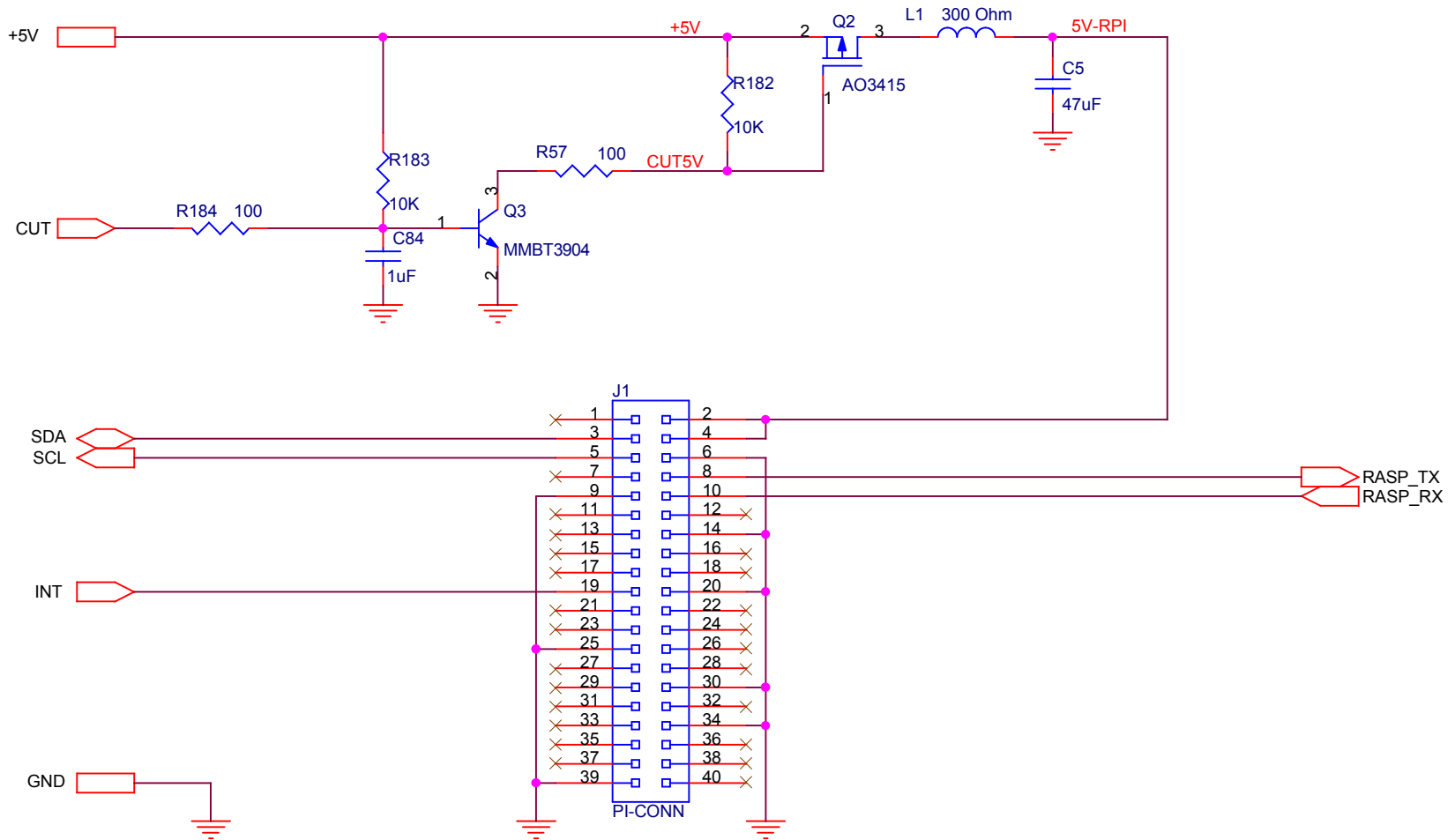
<b>SEQUENTMICROSYSTEMS.COM</b>		
Title MEGA-BAS		
Size A	Document Number Block Diagram	Rev 3.1
Date: Sunday, July 05, 2020	Sheet 1	of 12



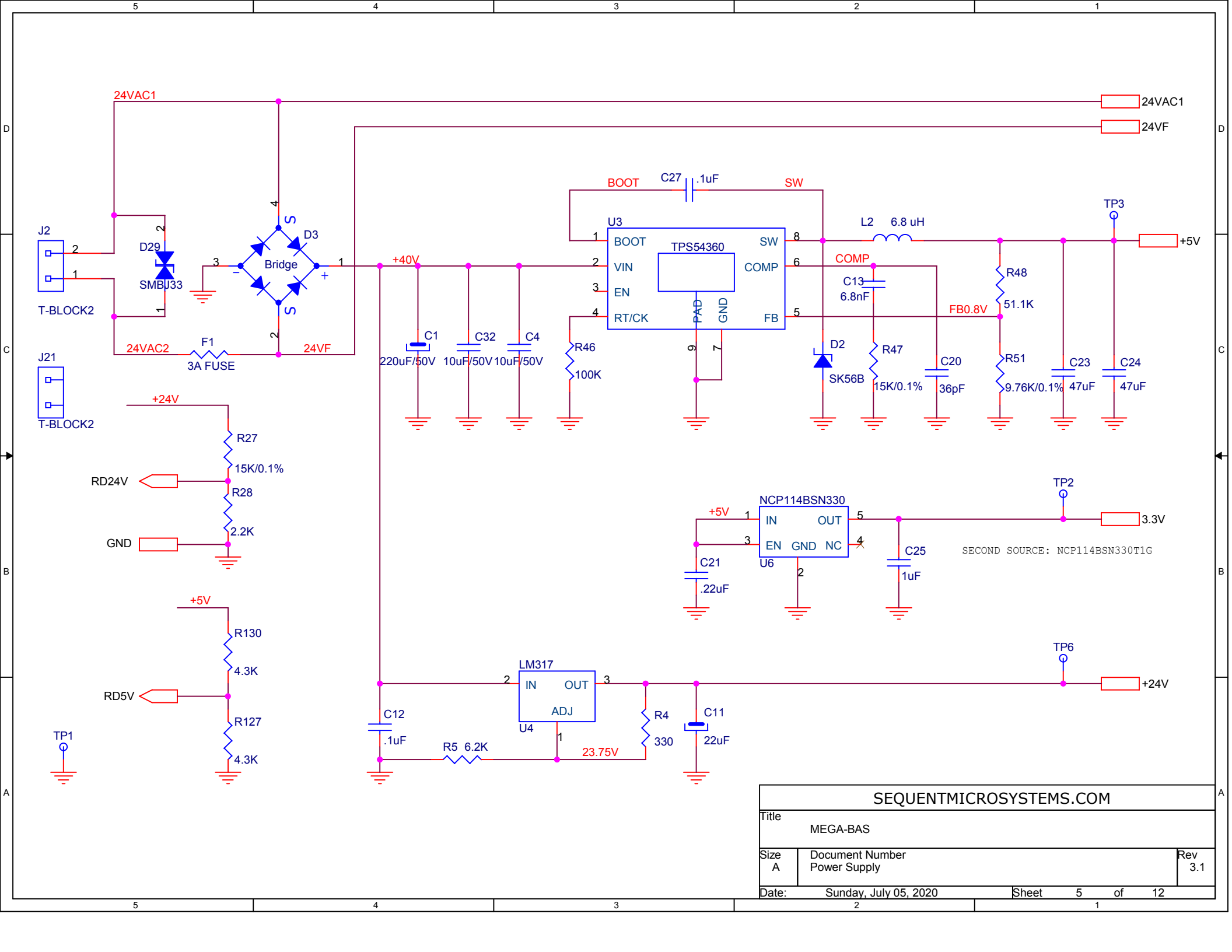
SEQUENTMICROSYSTEMS.COM		
Title		
MEGA-BAS		
Size	Document Number	Rev
A	0-10V Outputs	3.1
Date:	Sunday, July 05, 2020	Sheet 2 of 12



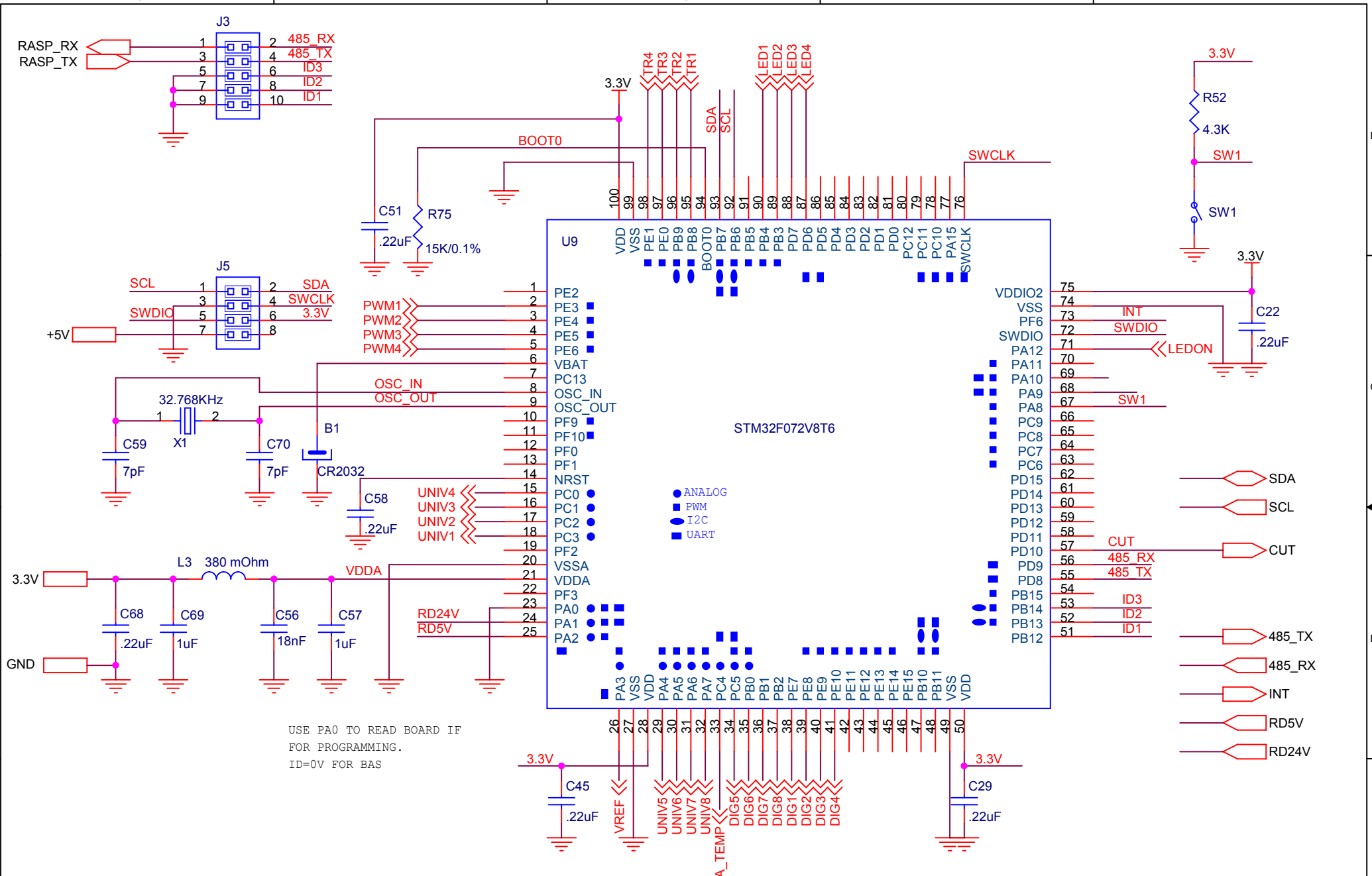
SEQUENTMICROSYSTEMS.COM		
Title		
MEGA-BAS		
Size	Document Number	Rev
A	Communication	3.1
Date:	Sunday, July 05, 2020	Sheet 3 of 12
	2	1



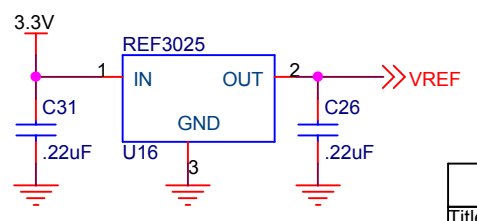
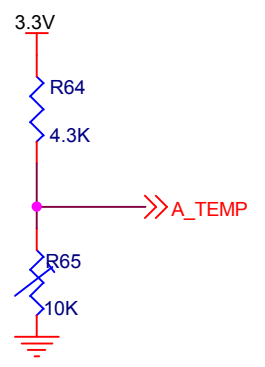
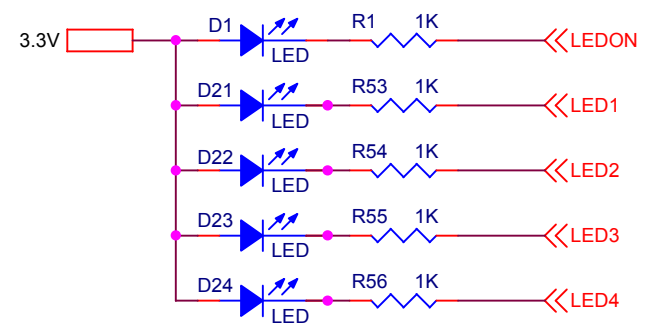
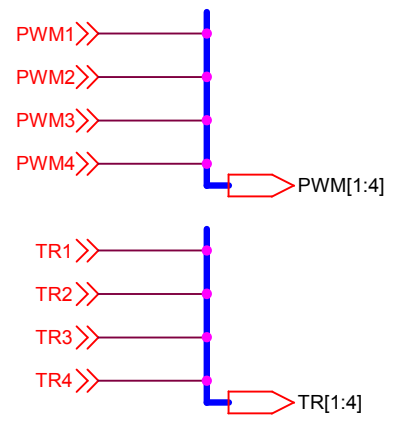
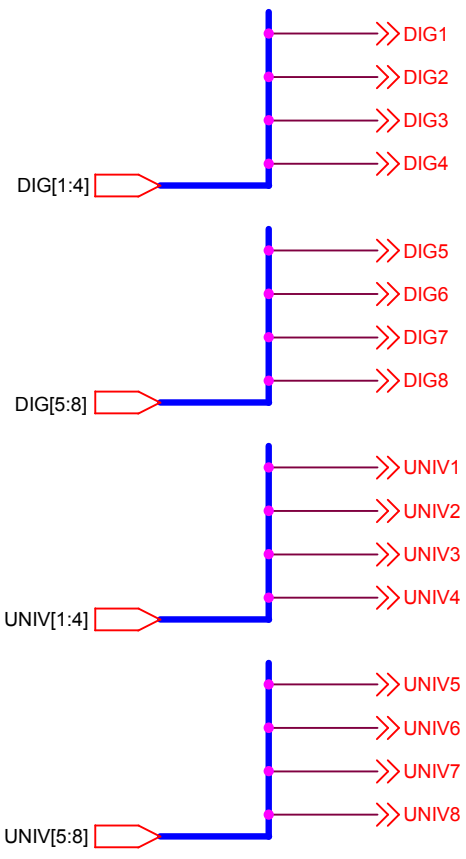
SEQUENTMICROSYSTEMS.COM		
Title		
MEGA-BAS		
Size	Document Number	Rev
A	Connectors	3.1
Date:	Sunday, July 05, 2020	Sheet 4 of 12
	2	1



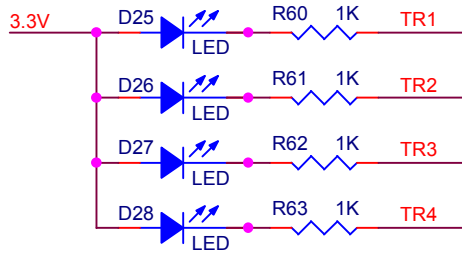
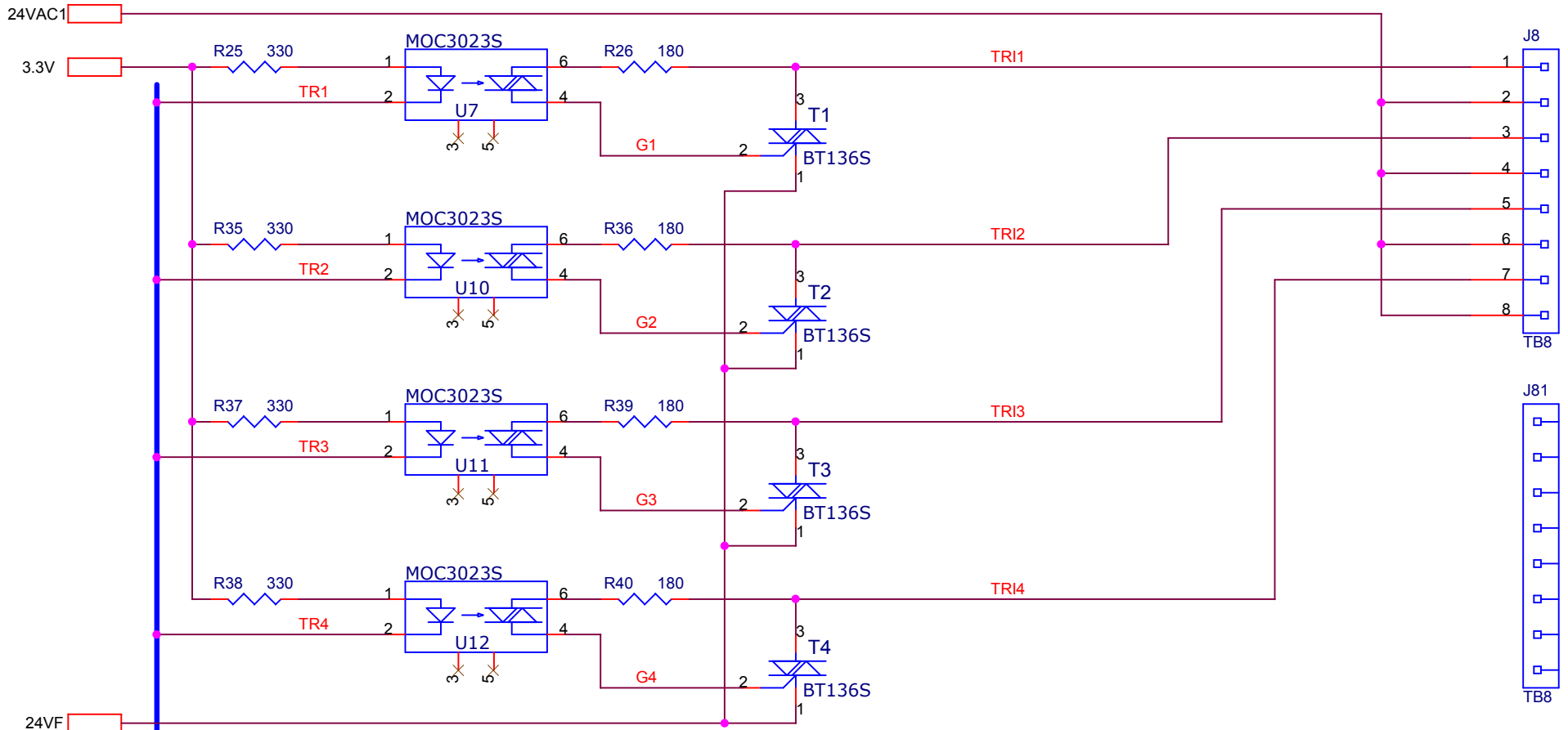
SEQUENTMICROSYSTEMS.COM		
Title MEGA-BAS		
Size A	Document Number Power Supply	Rev 3.1
Date:	Sunday, July 05, 2020	Sheet 5 of 12



SEQUENTMICROSYSTEMS.COM		
Title MEGA-BAS		
Size A	Document Number Processor 1	Rev 3.1
Date:	Sunday, July 05, 2020	Sheet 6 of 12

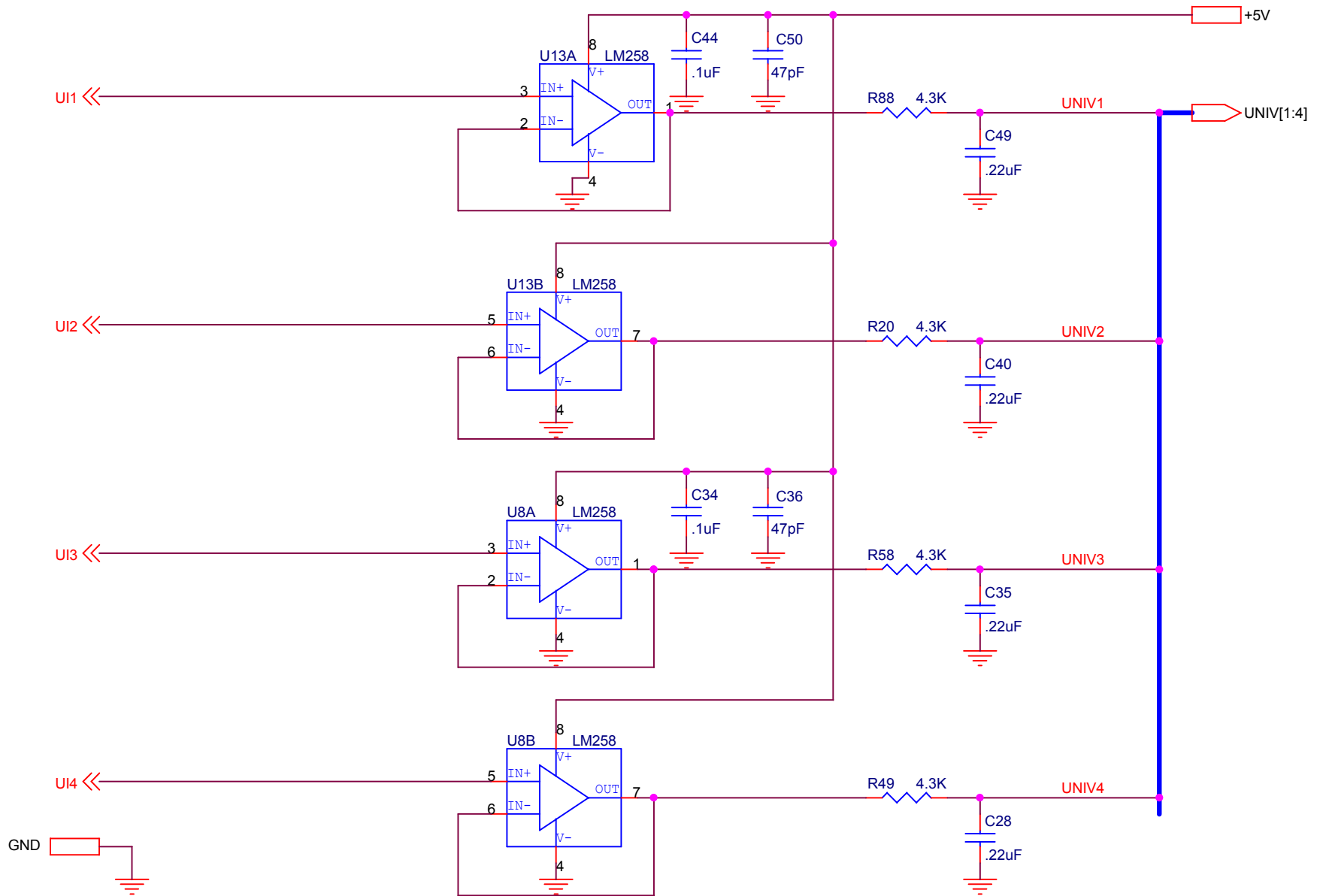


SEQUENTMICROSYSTEMS.COM		
Title MEGA-BAS		
Size A	Document Number Processor 2	Rev 3.1
Date:	Sunday, July 05, 2020	Sheet 7 of 12

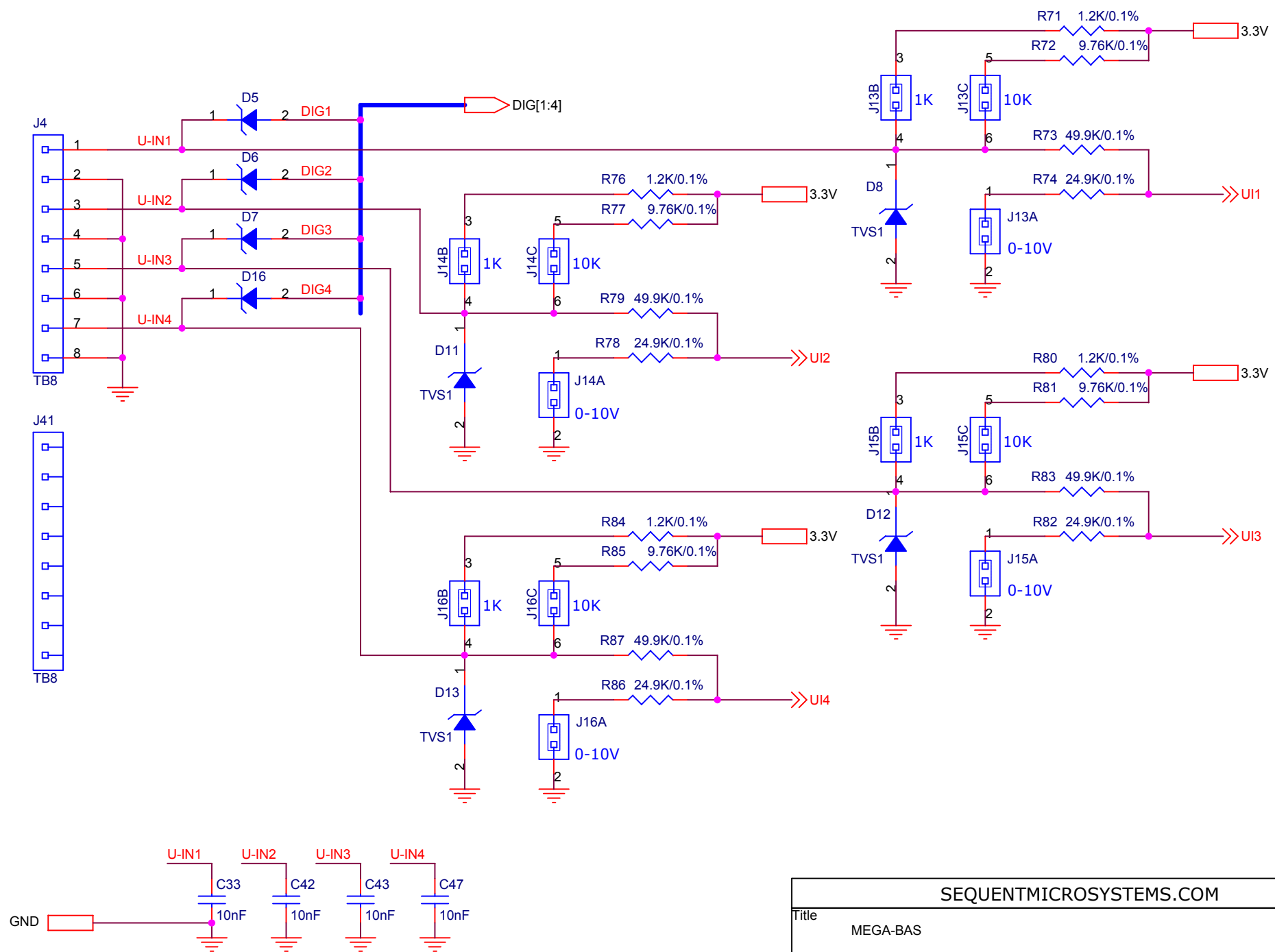


SEQUENTMICROSYSTEMS.COM		
Title MEGA-BAS		
Size A	Document Number TRIAC OUTPUTS	Rev 3.1
Date:	Sunday, July 05, 2020	Sheet 8 of 12

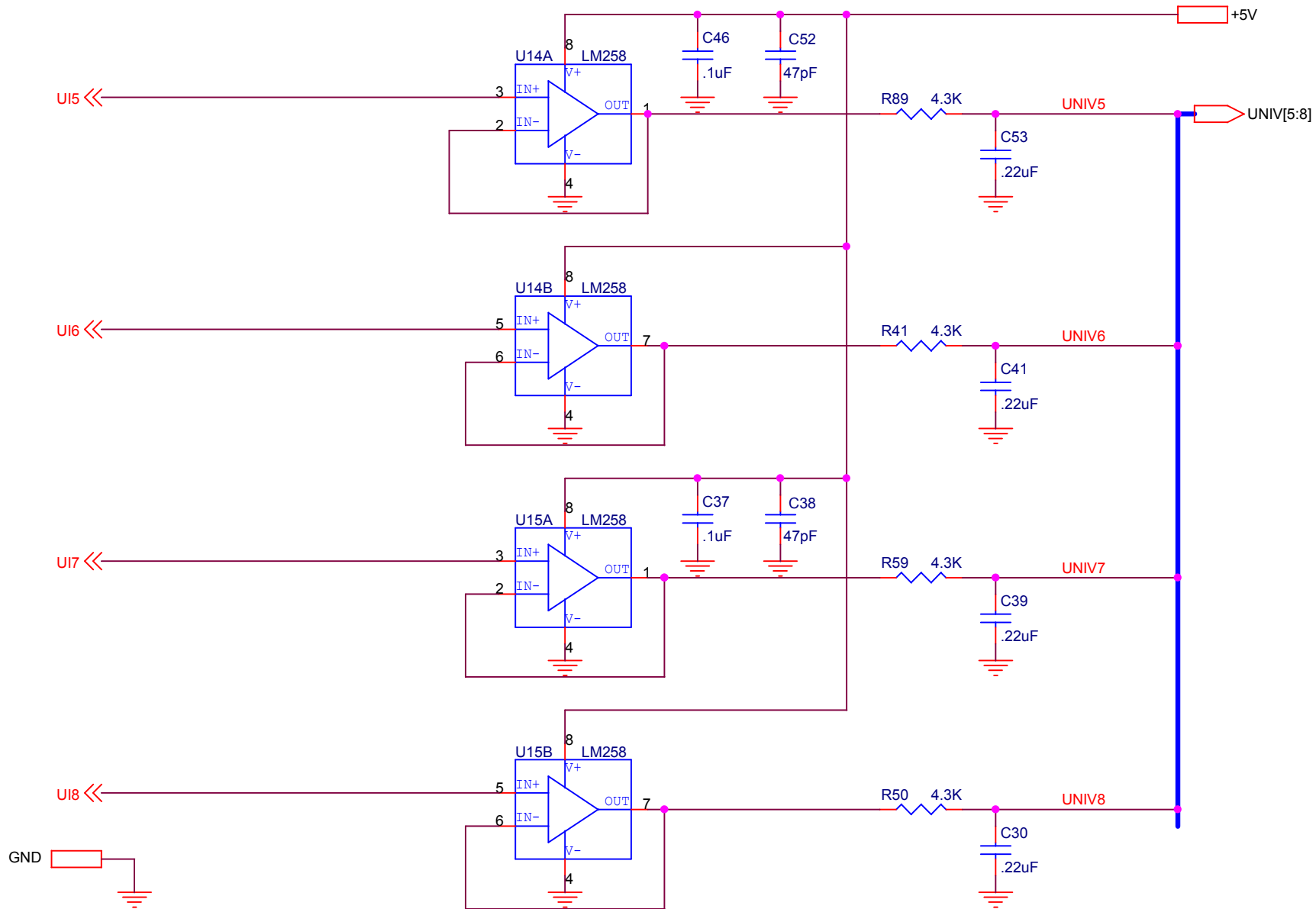




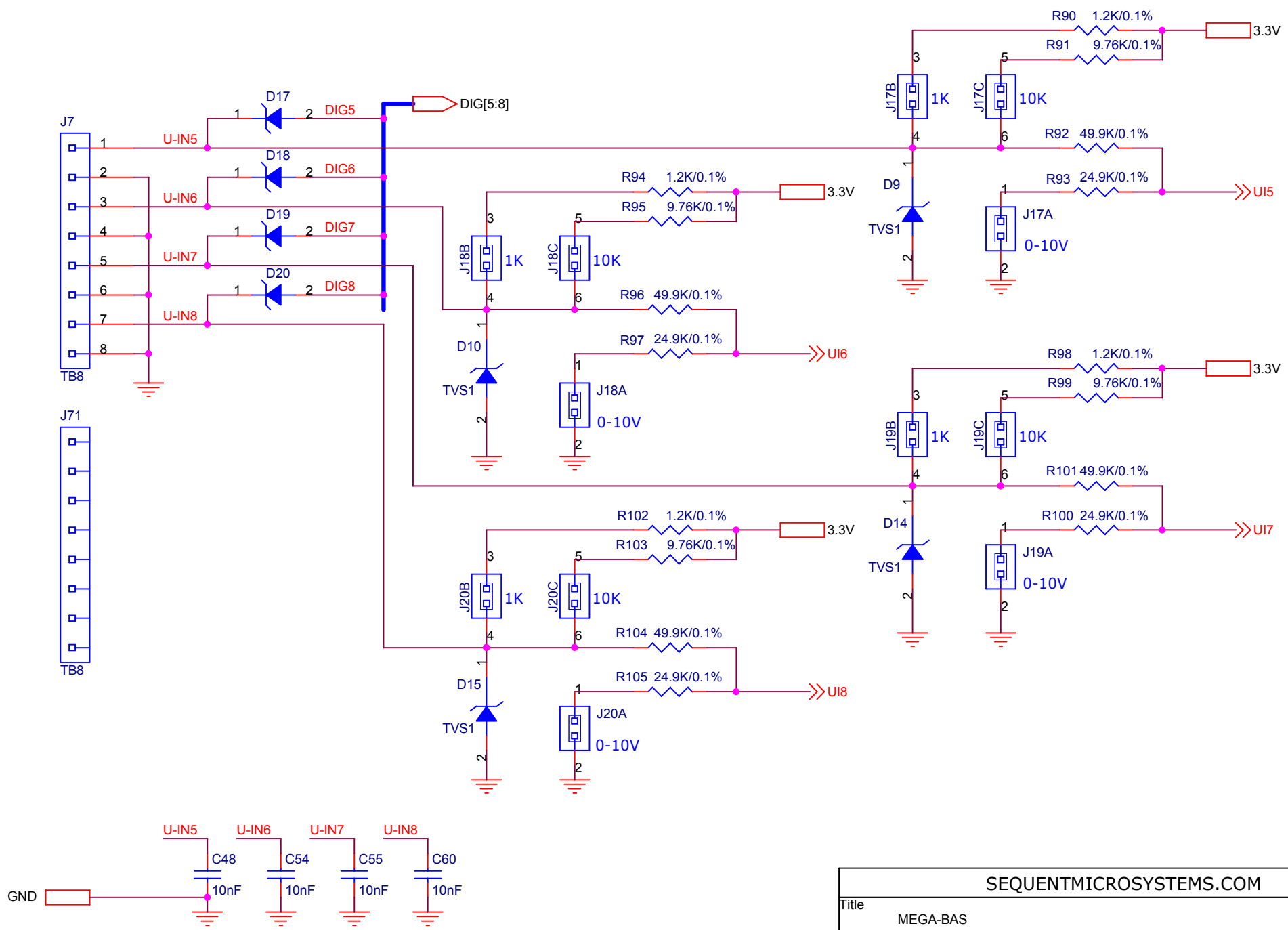
SEQUENTMICROSYSTEMS.COM		
Title		
MEGA-BAS		
Size	Document Number	Rev
A	0-10V INPUTS 1-4	3.1
Date:	Sunday, July 05, 2020	Sheet 9 of 12



SEQUENTMICROSYSTEMS.COM		
Title		
MEGA-BAS		
Size	Document Number	Rev
A	THERMISTOR INPUTS 1-4	3.1
Date:	Sunday, July 05, 2020	Sheet 10 of 12



SEQUENTMICROSYSTEMS.COM		
Title		
MEGA-BAS		
Size	Document Number	Rev
A	0-10V INPUTS 5-8	3.1
Date:	Sunday, July 05, 2020	Sheet 11 of 12



SEQUENTMICROSYSTEMS.COM		
Title MEGA-BAS		
Size A	Document Number THERMISTOR INPUTS 5-8	Rev 3.1
Date:	Sunday, July 05, 2020	Sheet 12 of 12