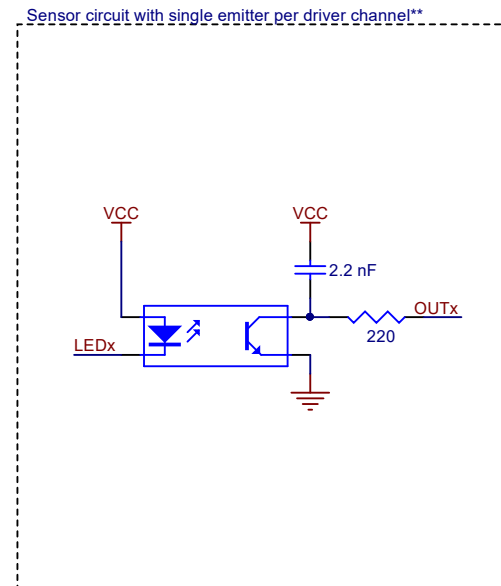
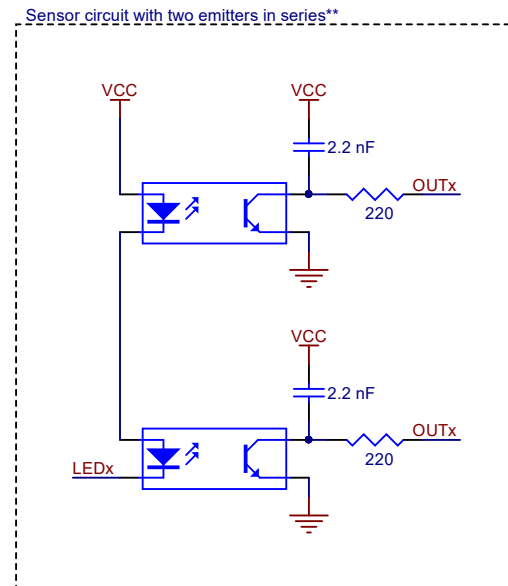
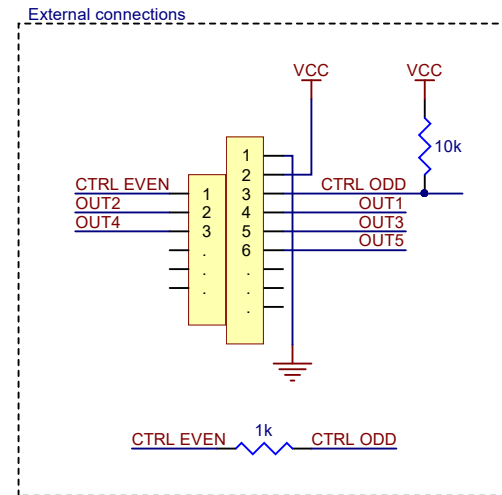
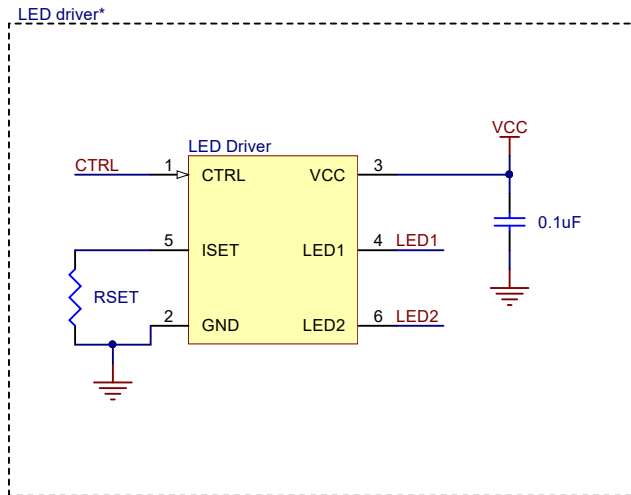


*Number of LED drivers on each array depends on the number of sensors populated
**Module constructed from combination of single and dual sensor circuits



*Number of LED drivers on each array depends on the number of sensors populated
**Module constructed from combination of single and dual sensor circuits