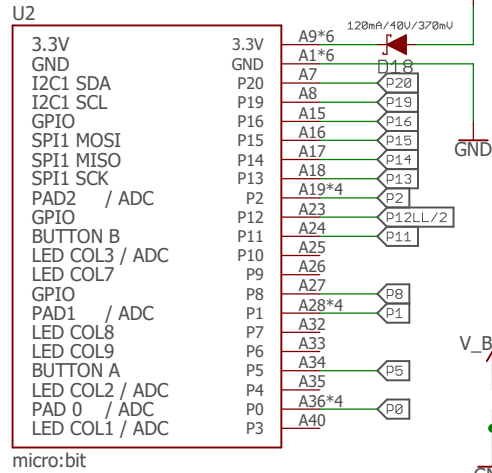
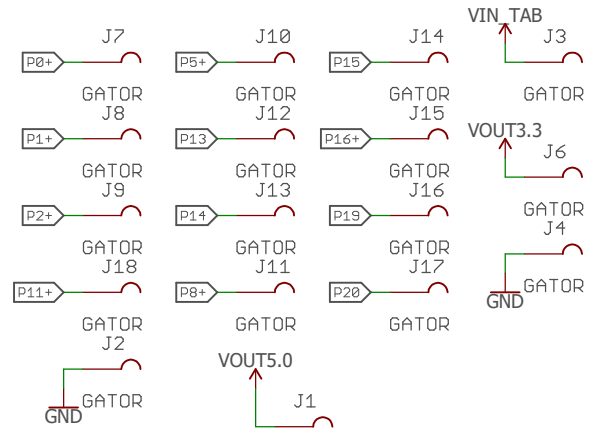


# Connector

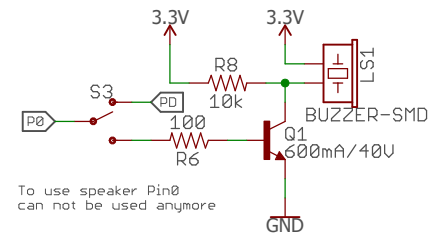


PIN	FUNCTION
20	SDA
19	SCL
16	GPIO
15	MOSI
14	MISO
13	SCK
12	GPIO
11	BUTTON B
10	LED COL 3
9	LED COL 7
8	GPIO
7	LED COL 8
6	LED COL 9
5	BUTTON A
4	LED COL 2
3	LED COL 1
2	GPIO/AIN
1	GPIO/AIN
0	GPIO/AIN

# Alligator Clip Terminals

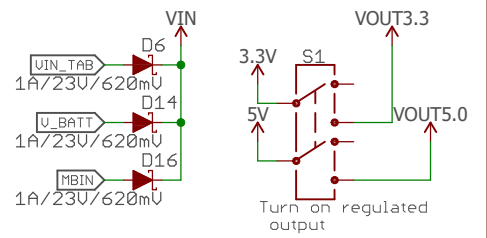


# Switches



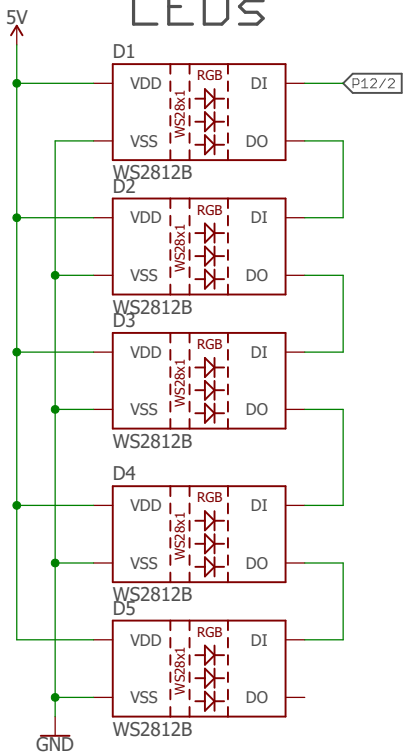
To use speaker Pin8 can not be used anymore

# Power Selection Circuitry

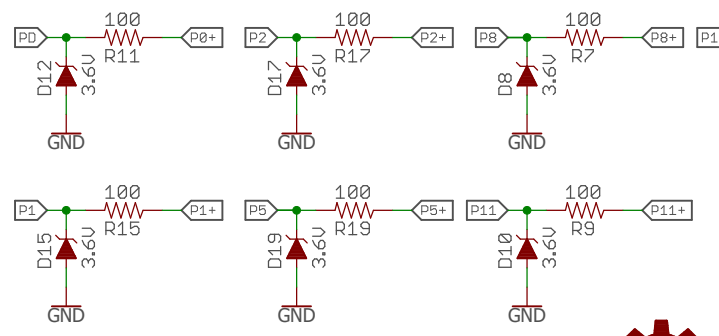


Vin at Gator Tabs:  
2.7V - 9V

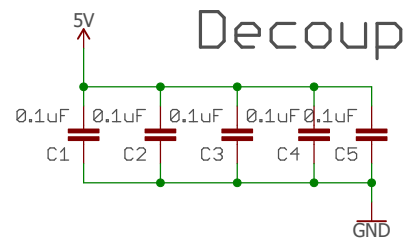
# LEDs



# IO Protection



# Decoupling



Released under the Creative Commons Attribution Share-Alike 4.0 License <a href="https://creativecommons.org/licenses/by-sa/4.0/">https://creativecommons.org/licenses/by-sa/4.0/</a>	⊗ ⊗ ⊗ ⊗ ⊗ ⊗
TITLE: gator-bit	
Design by: Mary West Revision By: Andy England	REV: v20
Date: 1/30/2019 2:44 PM	Sheet: 1/2