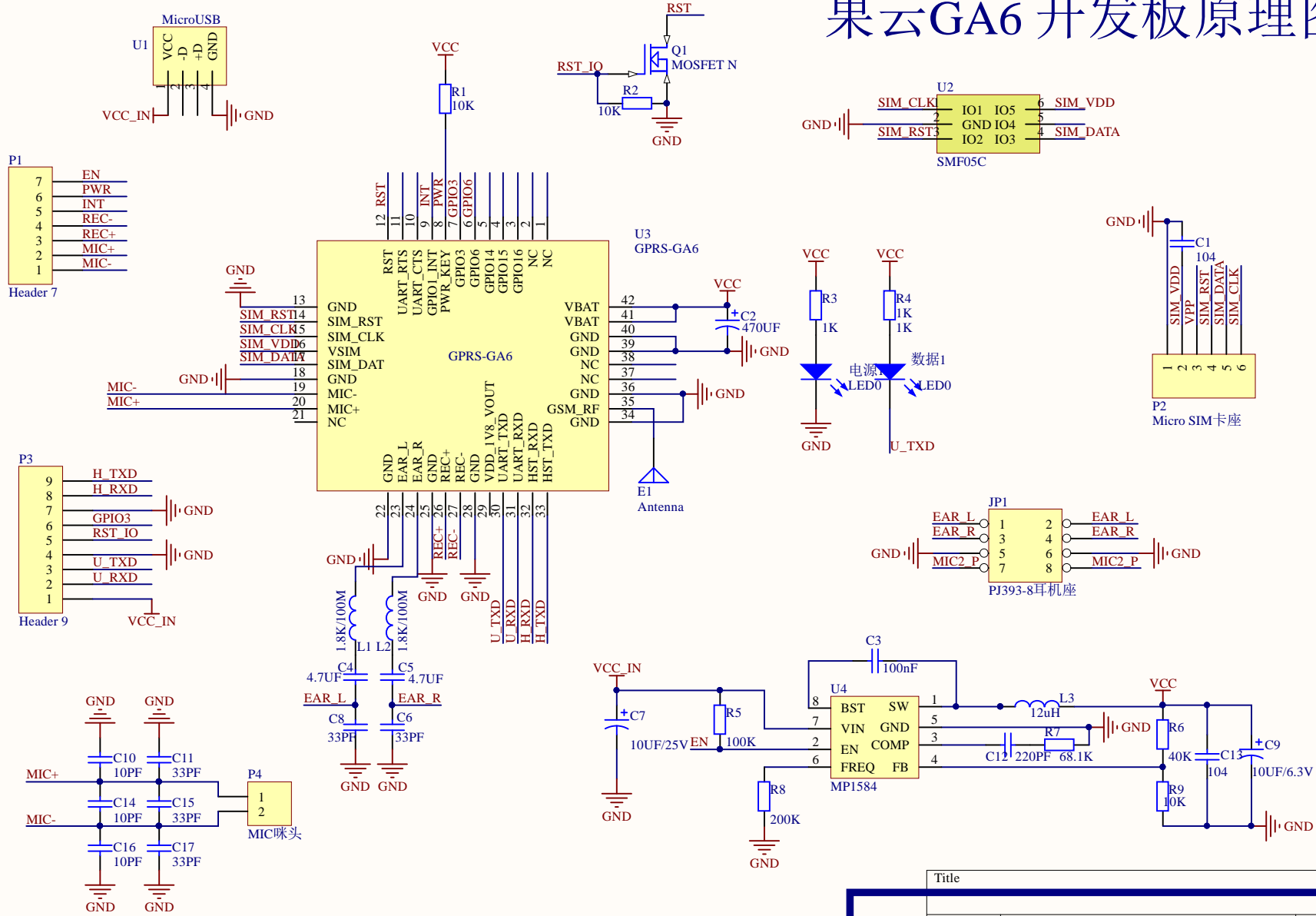


果云GA6 开发板原理图



Title		
Size	Number	Revision
A4		
Date:	2017/7/30	Sheet of
File:	F:\项目文档\GPRS-GA6开发板.SchDoc	Drawn By:

