

FPV GOGGLE

CYCLORS V2

INSTRUCTION MANUAL



QUANUM

FC CE   

QUANUM

Warning:

Please read the entire instruction manual so that you become familiar with the features of this product before operating. Failure to operate the product correctly can result in damage to the product itself or personal property, it could also cause serious injury.

FCC Statement:

1) "Warning: Changes or modifications not expressly approved by the party responsible for compliance could void the user's authority to operate the equipment."

2) "Note: This equipment has been tested and found to comply with the limits for a Class B digital device, pursuant to part 15 of the FCC Rules. These limits are designed to provide reasonable protection against harmful interference in a residential installation. This equipment generates, uses and can radiate radio frequency energy and, if not installed and used in accordance with the instructions, may cause harmful interference to radio communications. However, there is no guarantee that interference will not occur in a particular installation. If this equipment does cause harmful interference to radio or television reception, which can be determined by turning the equipment off and on, the user is encouraged to try to correct the interference by one or more of the following measures:

- Reorient or relocate the receiving antenna.
- Increase the separation between the equipment and receiver.
- Connect the equipment into an outlet on a circuit different from that to which the receiver is connected.
- Consult the dealer or an experienced radio/TV technician for help."

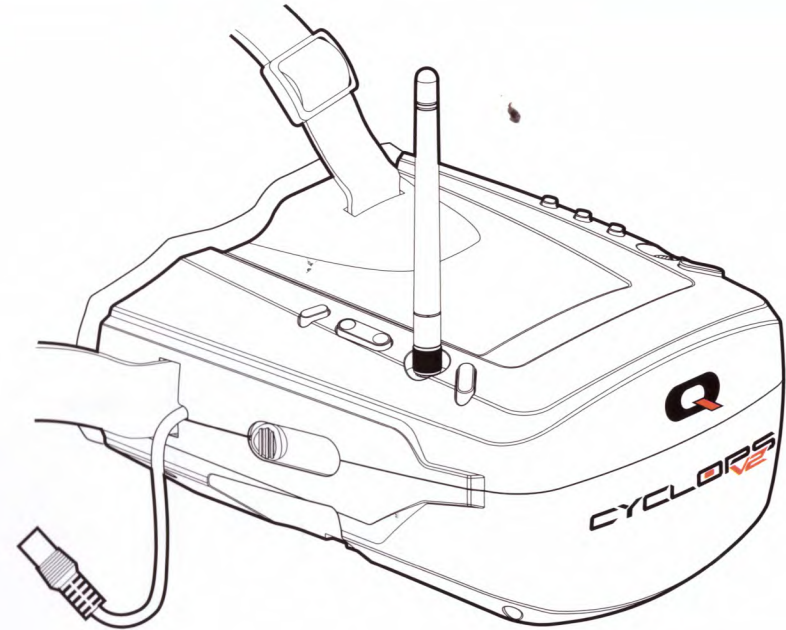
Age recommendation:

Not for children under 14 years of age, this is not a toy.

Please note: Using any FPV goggles on children under 14 can cause eye development problems.

Safety Instructions:

1. Please avoid wet or humid environments.
2. Please turn the power on and off as shown in the instructions below. Incorrect operation can be dangerous and could cause serious injury.



Please note: Battery not included

Dimensions:

- 187(L) x 179(W) x 107(H)mm

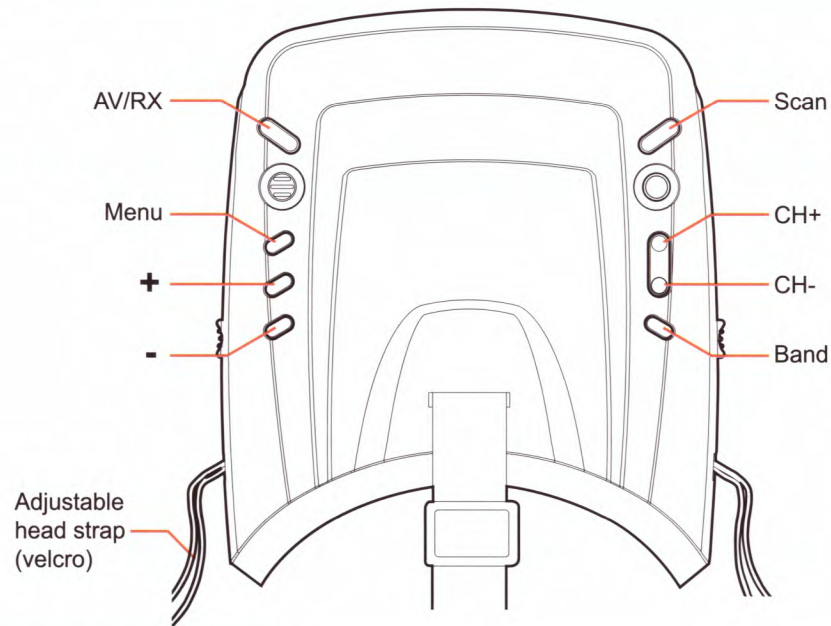
Specification:

- **Operating Voltage:** 7.4 -12.6v
- **Receiver:** -90 dbm ISM 5.8GHz 40ch
- **Antenna connections:** SMA
- **Operating Current:** 800mA

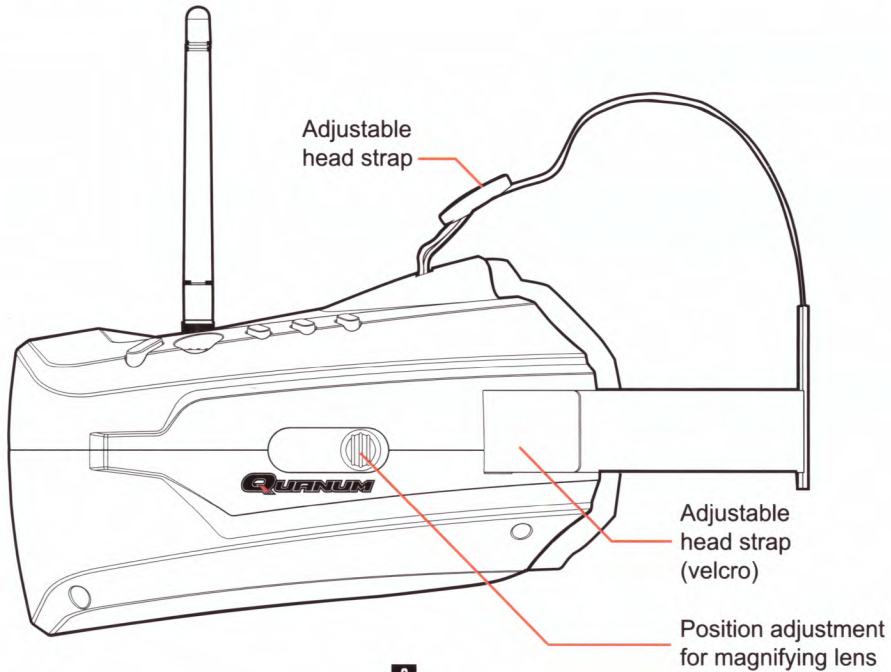
Features:

- 5" TFT monitor, with new 3X magnification acrylic lens.
- 40 channels: Covers A, B, E, F and Racing bands
- One AutoScan push button for 40 channels
- AV In & RX Out
- Monitor resolution: 800 x 480 pixels
- Extra mount for Quanum Head Tracker
- Focal length adjustment
- Adjustable elastic head strap with battery compartment
- On screen menu with adjustable brightness and contrast
- New design can be used with glasses
- Extra comfortable sponge cushioning strips for facial comfort
- 3 types battery connections
- Durable lightweight plastic molded case

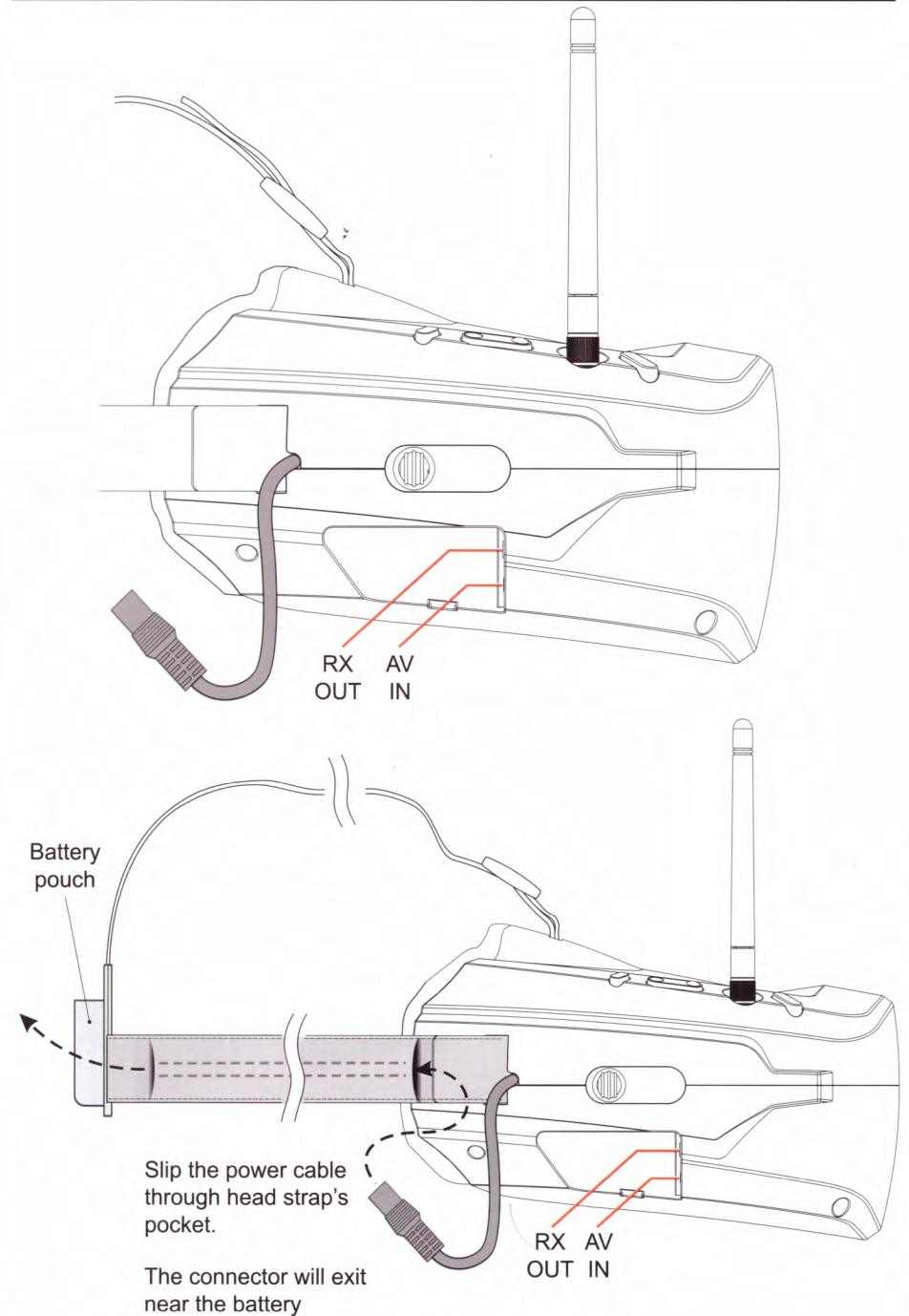
Top View:



Side View:

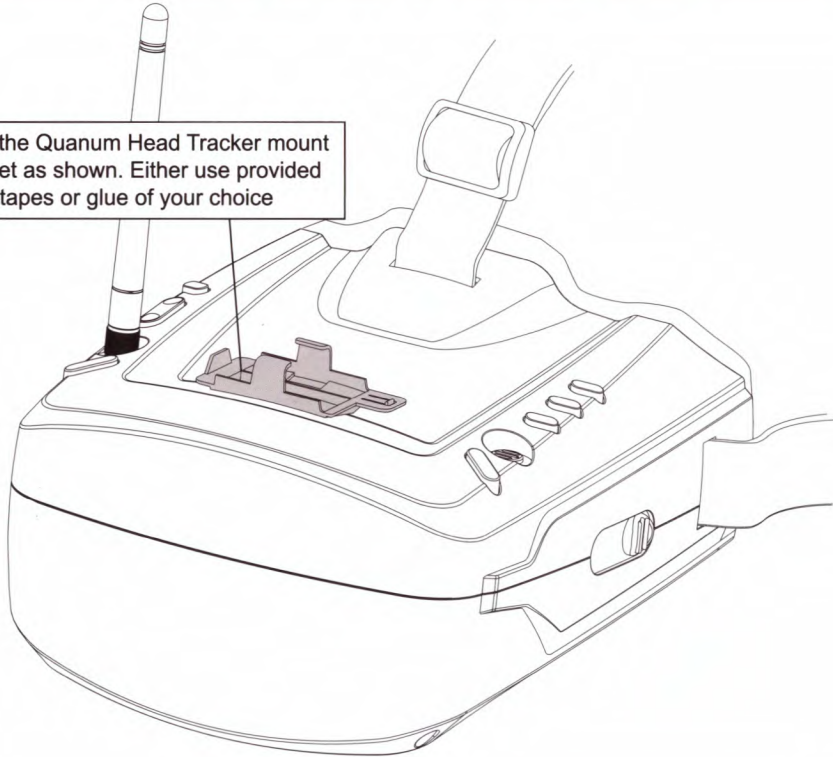


Side View:

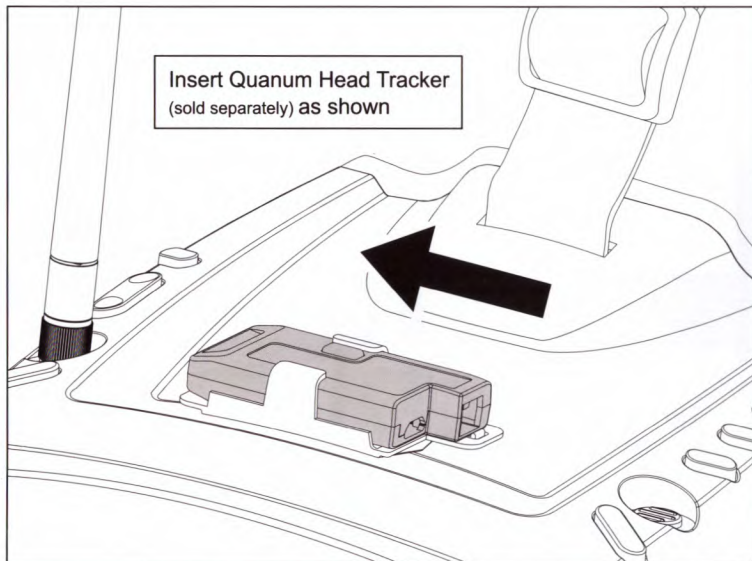


For mounting Quantum Head Tracker (sold separately)

Stick the Quantum Head Tracker mount bracket as shown. Either use provided foam tapes or glue of your choice

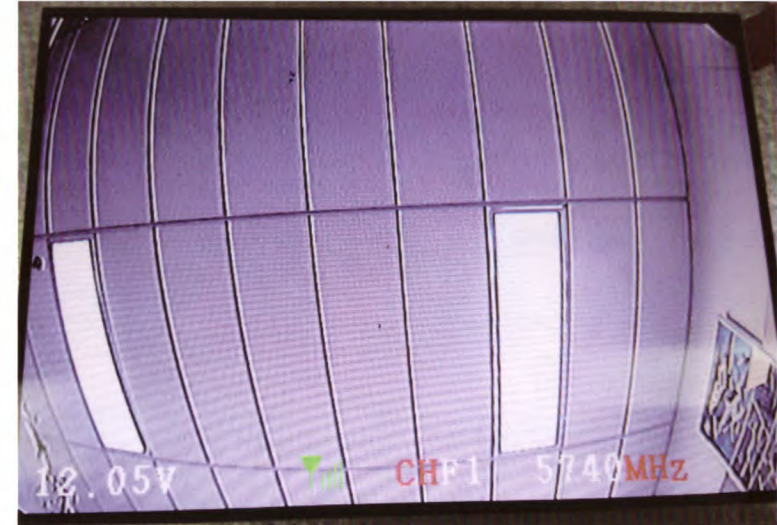


Insert Quantum Head Tracker (sold separately) as shown



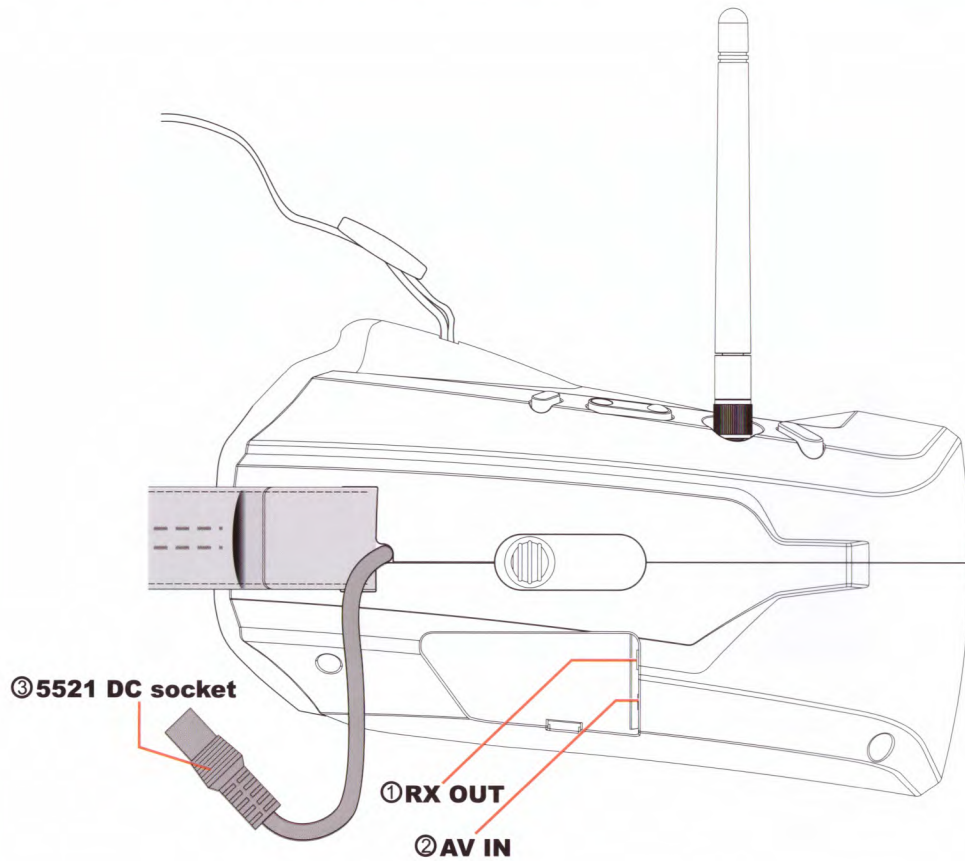
Function of Button:

- 1) SCAN:**
 - **In RF Mode**
RF channel information will be displayed (press for 1 second), this will disappear after 10 seconds. To auto scan the channels (press for 3 seconds), the scan will stop at the best/strongest video signal.



- **In AV Mode**
Power and voltage will be displayed (press for 1 second), this will disappear after 10 seconds.
- 2) BAND:**
5 bands CHA CHB CHE CHF CHR can be chosen in RF mode, no functions in AV mode
- 3) CH +, CH-:**
8 channels CH*1~CH*8 (increase or decrease), can be chosen in RF mode, no functions in AV mode
- 4) RX / AV:**
For switching the display for a 5.8GHZ receiver or an external AV input video signal
- 5) MENU:**
The menu key is to adjust the BRIGHTNESS, CONTRAST, COLOR, NORMAL, ZOOM, MENU VP and RESET
- 6) + - :**
Increases and decreases the values in the menus

Function of Connection Plug:



1) RX OUT:

5.8GHZ audio and video output (RF signal received) or AV through this connection can be sent to an external device.

2) AV IN:

External audio and video input interface (audio and video signal from an external device can be sent via this connection to the product display)

3) 5521 DC socket:

External power connector (cable)

Parts List:

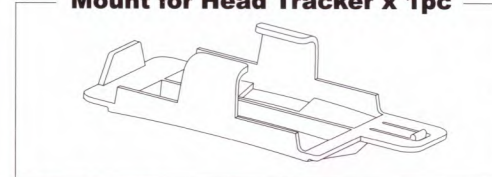
Cyclops V2 FPV Goggle x 1pc



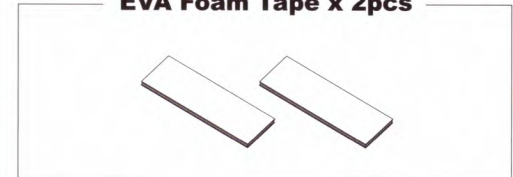
5.8GHz Antenna x 1pc



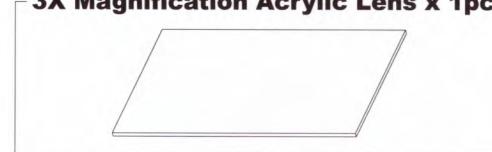
Mount for Head Tracker x 1pc



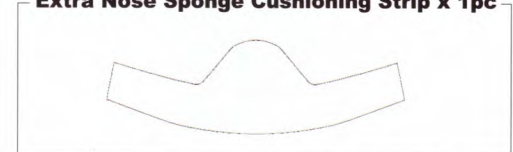
EVA Foam Tape x 2pcs



3X Magnification Acrylic Lens x 1pc



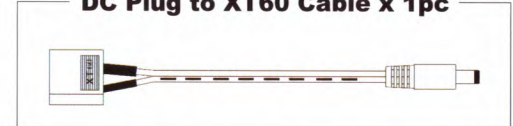
Extra Nose Sponge Cushioning Strip x 1pc



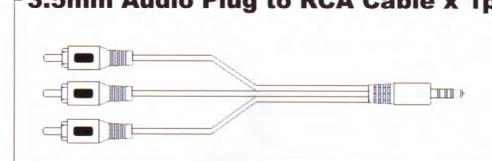
DC Plug to JST Plug Cable x 1pc



DC Plug to XT60 Cable x 1pc



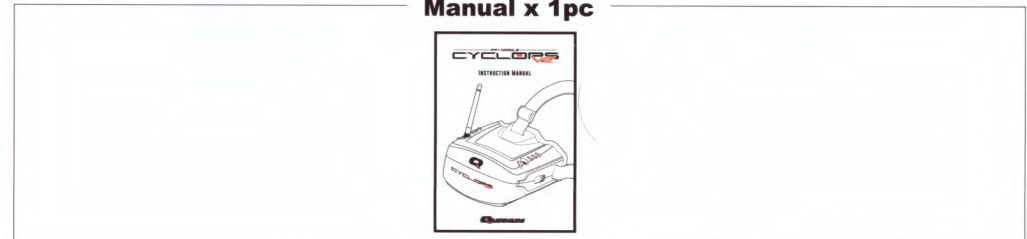
3.5mm Audio Plug to RCA Cable x 1pc



2.5 to 3.5mm Audio Plug Converter x 1pc



Manual x 1pc



Recommended Models:



SKU: 944000015-0
Quantum FPV Headset Battery 7.4V
1500mAh 3C



SKU: 9198000385-0
Quantum FPV plus Wide-Angle 1080P HD
FPV Camera with 5.8GHz Transmitter



SKU: 9704000006-0
Quantum Elite X40-L 25mW TX with
CNC Alloy Case



SKU: 9704000007-0
Quantum Elite X40-2 200mW, 40
Channel Raceband, FPV Transmitter



SKU: 571000059-0
Quantum Super Mini 520TVL FPV
Camera for Racing Drones PAL



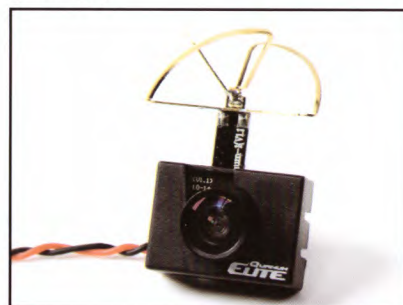
SKU: 692000007-0
RunCam2 FULL HD 1440P 4MP 120
Degree FPV Camera w/ WiFi
(Orange)



SKU: 9171000542-0
Quantum 3 Axis No Drift Head Tracker



SKU: 9171000866-0
Quantum RC540R 5.8GHz 40CH Race
Band FPV Diversity Receiver



SKU: 9704000001-0
Quantum ELITE TX CAMERA COMBO
Micro Cam VTX 25mW 40CH 5.8GHz
(NTSC)